


 EDDELSTAHL®  
 Rostfrei  
 Inox  
 Stainless  
 Steel

### 3 Type

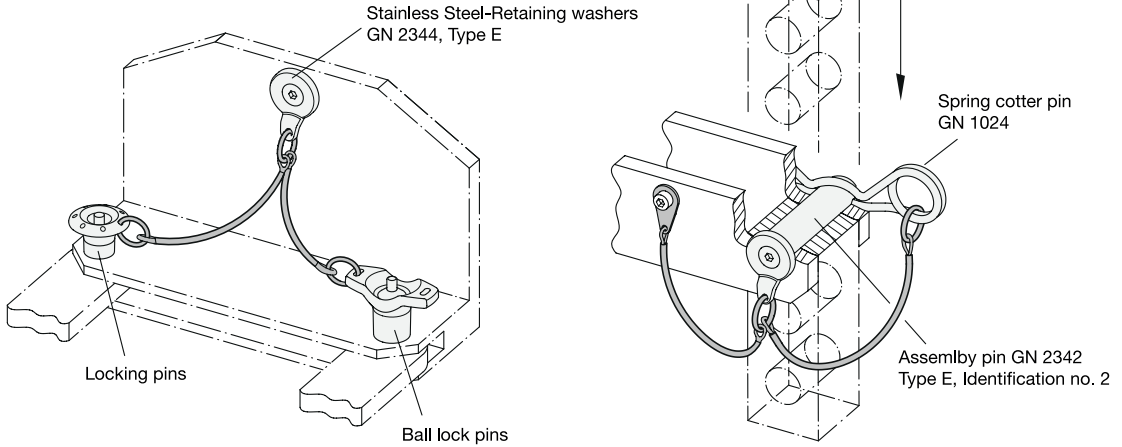
- A with 2 key rings
- B with tab and key ring
- C with 2 tabs
- D with 2 loops
- E with tab and loop

1

2

Length l	d <sub>1</sub>	d <sub>2</sub>	Static load in N ≈		Type A and Type B are suitable for ball lock pins and locking pins with axial lock
			with key ring	without key ring	
150	14 *	1	50	1800	* GN 113.1, GN 113.3, GN 113.4, GN 113.7, GN 113.8, GN 113.9, GN 113.10, GN 214.2, GN 214.3, GN 214.6 for pins Ø 5, Ø 6, Ø 8 and GN 113.5, GN 113.6, GN 114.2, GN 114.3, GN 114.6, GN 124.1, GN 124.2 for all pins ** GN 113.1, GN 113.3, GN 113.4, GN 113.7, GN 113.8, GN 113.9, GN 113.10, GN 214.2, GN 214.3, GN 214.6 for pins Ø 10, Ø 12, Ø 16, Ø 20, Ø 25
150	18 **	1,3	90	1800	
150	24	1,5	100	1800	
150	30	1,8	120	1800	
200	14 *	1	50	1800	
200	18 **	1,3	90	1800	
200	24	1,5	100	1800	
200	30	1,8	120	1800	
320	14 *	1	50	1800	
320	18 **	1,3	90	1800	
320	24	1,5	100	1800	
320	30	1,8	120	1800	
500	14 *	1	50	1800	
500	18 **	1,3	90	1800	
500	24	1,5	100	1800	
500	30	1,8	120	1800	

**Examples of application**



**Specification**

- Retaining cable  
Stainless Steel AISI 304  
coated with clear plastic (PVC)  
transparent
- Tab  
Stainless Steel AISI 304  
blank
- Key ring  
Stainless Steel AISI 301  
blank, ground
- black
- Tab  
Stainless Steel AISI 304  
zinc plated, black passivated
- Key ring  
Stainless Steel AISI 301  
zinc plated, black passivated
- [Stainless Steel characteristics](#) → Page 1489
- [RoHS compliant](#)



**Information**

Stainless Steel-Retaining cables GN 111.2 are available in 5 different types and thus, can be used for numerous different applications, e.g. a securing device and as a connection and fastening cables.

The black design is visually discreet and is also used in situations where the reflections on the surface are to be minimized.

The key rings are supplied fixed to the Stainless Steel-Retaining cable. In type A, both rings have the same diameter  $d_1$ .

The details on load-bearing capacity are guide values given without warranty.

see also...

- [Ball chains GN 111](#) → Page 876
- [Stainless Steel-Ball chains GN 111.5](#) → Page 876
- [Spiral retaining cables GN 111.4](#) → Page 878

**Accessory**

- [Stainless Steel-Key rings GN 111.3](#)  
→ Page 876

How to order (Type C, D and E)	1 Length l
	3 Type
GN 111.2-150-E-TR	4 Color

How to order (Type A and B)	1 Length l
	2 $d_1$
GN 111.2-500-30-A-SW	3 Type
	4 Color

