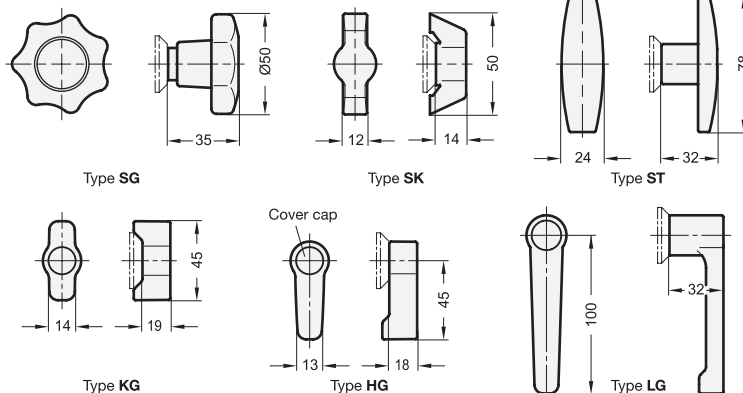


**1 Type**

- Operation with
- SG** star knob
- SK** wing knob
- ST** T-Handle
- RG** knurled knob GN 7336
- KG** wing knob
- HG** lever
- LG** hand lever (only with locating ring in SW)



**2**

Latch distance A											d		h	
											Type SG, RG, KG, HG	Type SK, ST, LG	Type SG, RG, KG, HG	Type SK, ST, LG
4	8	13	16	20	24	28	32	36	40	45	28	32	4	6
6	10	14	18	22	26	30	34	38	42	50	28	32	4	6

**Specification**

- Lock housing  
Zinc die casting
- Locating ring  
- chrome plated (Standard) —  
- plastic coated  
black, RAL 9005, textured finish ● SW
- All other parts  
Steel zinc plated, blue passivated
- Operating elements  
- Plastic (Polyamide PA)  
black, matte  
(Type SG, SK, ST, RG, KG, HG)  
- Zinc die casting  
plastic coated  
black, RAL 9005, textured finish  
(Type LG)
- Cover cap (Type RG, KG, HG, LG)  
Plastic (Polyamide PA)  
light grey
- Plastic characteristics → Page 1483
- RoHS compliant

**3**

**Information**

Latches GN 115 lock by a turning operation limited to 90° which moves the locking behind the door frame. The bevels of the latch ease the closing of the door.

Latches with different cranks cover a latch distance A from 4 to 50 mm.

Latches GN 115 are supplied with loosely enclosed latch.

see also...

- List of latch types → Page 892 ff.
- Latches GN 115 (operation with key) → Page 898
- Latches GN 115 (lockable) → Page 899
- Stainless Steel-Latches GN 115 → Page 900 ff.

How to order (chrome plated locating ring)

<b>1</b>	Type
<b>2</b>	Latch distance A

GN 115-SG-20

How to order (black locating ring)

<b>1</b>	Type
<b>2</b>	Latch distance A
<b>3</b>	Finish

GN 115-HG-32-SW



Latches, not lockable, with operating element GN 115  
 Latches, not lockable, with socket key GN 115 → [Page 898](#)  
 Socket key GN 119.2 → [Page 940](#)

### Construction and assembly instructions

For installation, set a bore diameter in the door as shown in the outline drawing opposite.

Once assembled, the latch is pushed through the bore diameter from the front. The hexagon nut can then be pushed over the latch from the back and bolted in place.

**The installation bore diameter** in the door leaf is usually generated by punching or laser machining in series production.

For small series and steel sheets below 2 mm thickness, the sheet metal punches GN 123 are the tool of choice → [Page 941](#).

The installation bore diameter can also be set by drilling / milling as shown in the outline drawings opposite.

