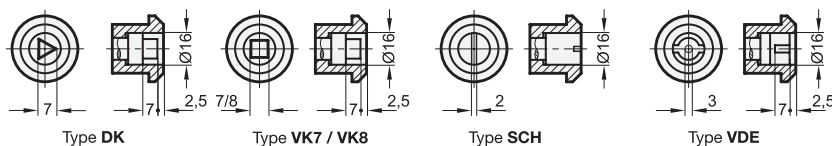
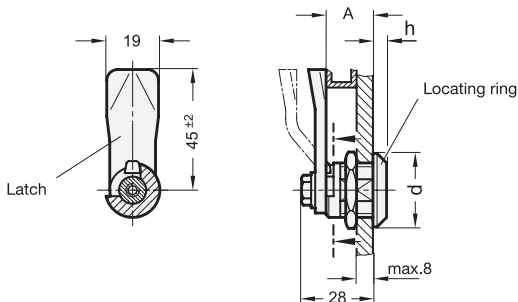




Rost
frei
Inox
Stainless
Steel

- 1 Type**
- DK** Operation with triangular spindle (DK7)
 - VK7** Operation with square spindle A/F7
 - VK8** Operation with square spindle A/F8
 - SCH** Operation with slot
 - VDE** Operation with double bit



2

Latch distance A													
6	10	14	18	20	22	24	26	28	30	34	38	40	50

Specification

- Lock housing
Stainless Steel
AISI 303
- Latch
Stainless Steel AISI 304
- Protection class IP 65
- *Stainless Steel characteristics* → Page 1489
- **RoHS compliant**

3 Information

Stainless Steel-Latches GN 115 lock by a turning operation limited to 90° which moves the locking behind the door frame. The bevels of the locking ease the closing of the door.

Latches with different cranks cover a latch distance A from 6 to 28 mm.

The operating bolt is fitted with an O-ring for sealing.

Stainless Steel-Latches GN 115 are supplied with loosely enclosed locking.

see also...

- *Construction and assembly instructions* → Page 897
- *List of latch types* → Page 892 ff.
- *Stainless Steel-Latches GN 115 (lockable)* → Page 902
- *Latches GN 115 (operation with key)* → Page 898
- *IP-Protection classes* → Page 1482

Accessories

- Keys GN 119.2 → Page 940
- Protective caps GN 120 → Page 942
- Opening handles GN 120.1 → Page 943

How to order

GN 115-DK-18-NI

1	Type
2	Latch distance A
3	Material

