



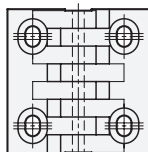
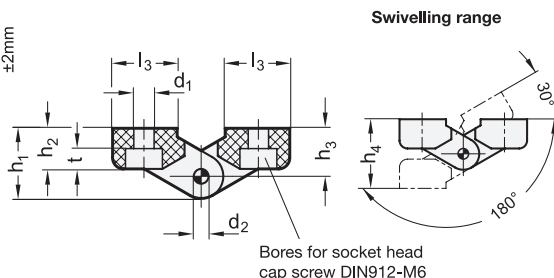
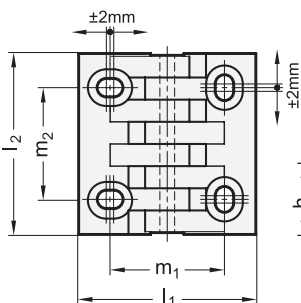
elesa

ELESA original design CFA/SL

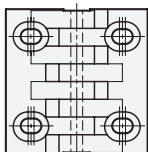


3 Type

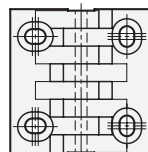
- H horizontal adjustable
- B vertical adjustable
- HB vertical and/or horizontal adjustable



Type H



Type B



Type HB



l_1	l_2	d_1	d_2	h_1	h_2	h_3	h_4	l_3	m_1	m_2	t
64	65	6,5	5	23	13,5	15	30	24	40	40	6,5

Specification

- Plastic (Polyamide PA)
 - black, matte
 - temperature resistant up to 80 °C
- Pin
 - Stainless Steel
 - German Material No. 1.4305
- Plastic characteristics → Page 1483
- Load rating information → Page 1462
- RoHS compliant

Information

see also...

- List of hinge types → Page 956 ff.
- Hinges GN 238 (adjustable, zinc die casting) → Page 978
- Hinges GN 127 (adjustable, zinc die casting) → Page 980
- Assembly sets for profile systems 30 / 40 GN 965 → Page 1428
- Assembly sets for profile systems 30 / 40 / 45 GN 968 → Page 1438

How to order

GN 151.4-64-65-HB

1	l_1
2	l_2
3	Type

