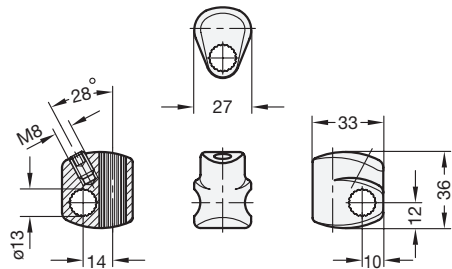
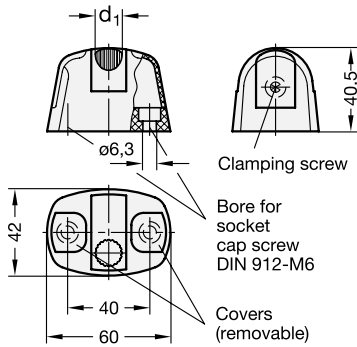




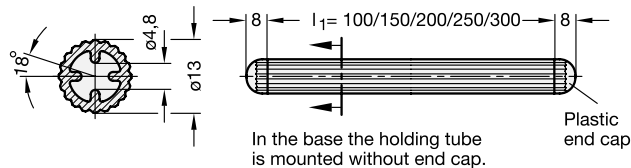
**Dimensions / Ordering designation**

**Base GN 177.2-13**

**Cross piece GN 177.3-13**



**Holding tubes GN 177.4-13-I<sub>1</sub>**



2.1  
2.2  
2.3  
2.4  
2.5  
2.6  
2.7  
2.8  
2.9