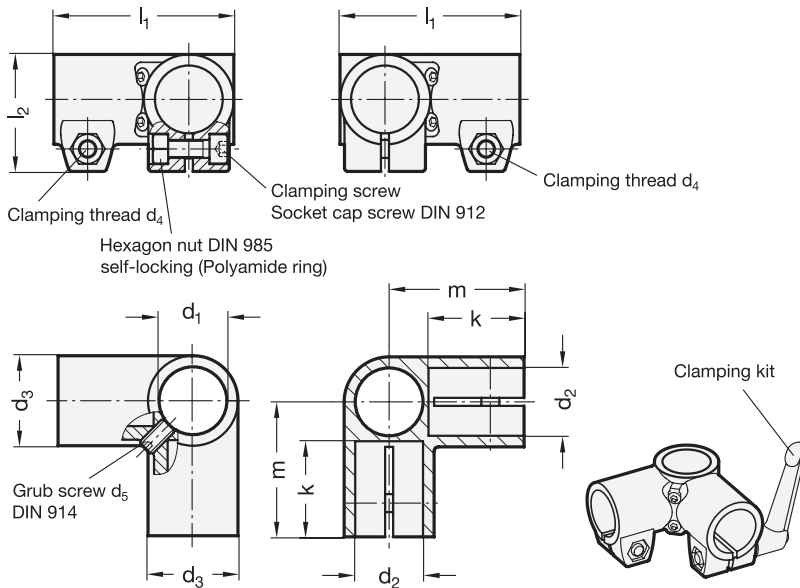


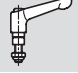
GN 196 Angle connector clamps

Aluminium



3 Identification no.

2 with 2 Stainless Steel-clamping screws DIN 912

1 d_1 Bore B	2 d_2 Square V	k Clamping length	d_3	d_4 Clamping thread	d_5	m	l_1	l_2	Clamping kits for d_4 
B 20	B 20	40	40	M 8	M 8	60	80	52	GN 911-M8-32
B 25	B 25	40	40	M 8	M 8	60	80	52	GN 911-M8-32
B 30	B 30	40	40	M 8	M 8	60	80	52	GN 911-M8-32

Specification

- Aluminium
 - plastic coated
black, RAL 9005, textured finish ● **SW**
 - blank ○ **BL**
matt shot-blasted
- Hexagon screws DIN 912
Stainless Steel, AISI 304
- Hexagon nuts DIN 985
Stainless Steel, AISI 304
- Grub screws DIN 913
Stainless Steel, AISI 304
- Stainless Steel characteristics → Page 1274
- RoHS compliant

Accessory

- Clamping kits GN 911

On request

- d_1 / d_2 with different bores

4 Information

The clamping bores of the angle connector clamps GN 196 are specially designed for construction tubings GN 990 or DIN 2391, DIN 2395 and DIN 2462 respectively.

The standard clamping screws are socket cap screws DIN 912. They can be replaced by clamping kits GN 911 (article code see table of dimensions).

see also...

- Construction tubes GN 990 → Main Catalogue Page 1027

How to order

1 d_1
2 d_2
3 Identification no.
4 Finish

GN 196-**1****2****3****4**
GN 196-B25-B25-2-SW