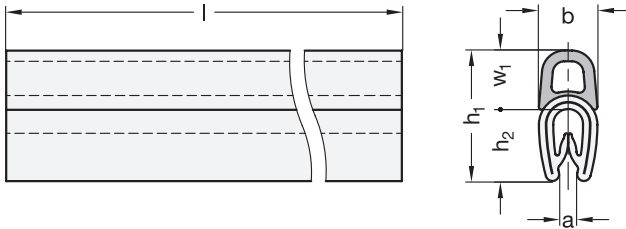
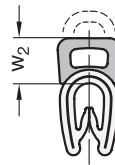
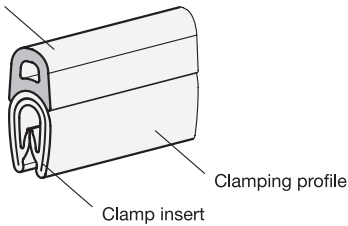




Type A



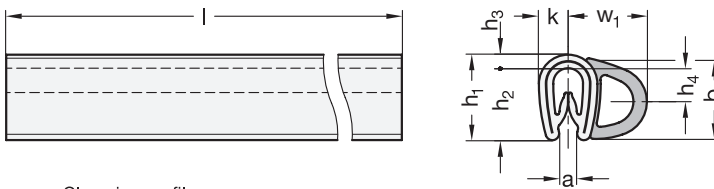
Upper seal profile



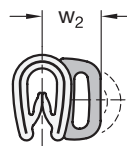
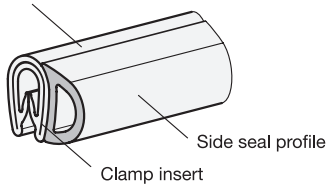
2 Type

- A Upper seal profile
- D Side seal profile

Type D



Clamping profile



1

3

Type A

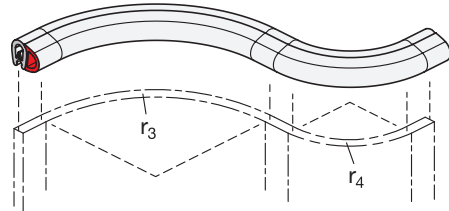
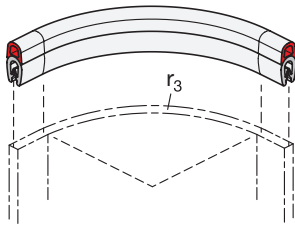
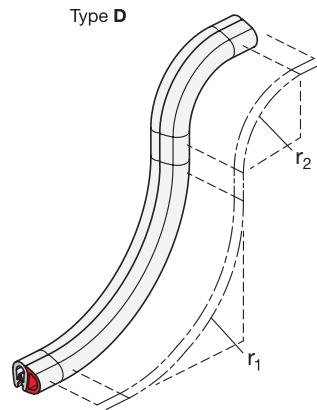
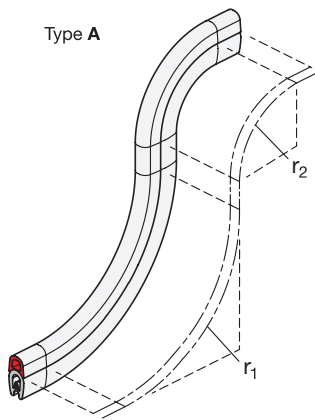
h_1	Cutting length l in meter		a Clamping area	b	h_2	r_1	r_2	r_3	w_1	w_2 up to 50% permissible deformation
14,5	20	50	1 - 2	6,5	8	40	20	10	6,5	5,25

1

3

Type D

h_1	Cutting length l in meter		a Clamping area	b	h_2	h_3	h_4	k	r_1	r_2	r_3	r_4	w_1	w_2 up to 50% permissible deformation
9,5	20	50	1 - 2	9	8	1,5	4	3,25	15	20	30	50	8,75	6,75



Specification

- Clamping profile
Polyvinyl Chloride (PVC)
Hardness 70±5 Shore A
- Sealing profile
Ethylene propylene diene rubber (EPDM)
Hardness 25±5 Shore A
- Clamp insert
Steel clamping band
- black
- temperature resistant -40 °C to 90 °C
- weather exposure
- RoHS compliant

Information

GN 2182 edge protection seal profiles can be used to seal doors, covers and hatches. The profiles are pressed by hand onto the front of metal sheets and plates. The embedded clamp insert prevents detachment. Glue or other adhesives are not required.

When assembled, the profile should deform slightly according to w_2 . This ensures an optimal seal. Adherence to the guideline placement radii ($r_1...r_4$) is recommended in order to ensure a tight profile seal and to make assembly easier.

see also...

- *Technical information* → Page 947
- *Edge protection seal profiles GN 2180* → Page 948
- *Edge protection profiles GN 2184* → Page 954

How to order

GN2182-9,5-D-20

1	h_1
2	Type
3	Length l