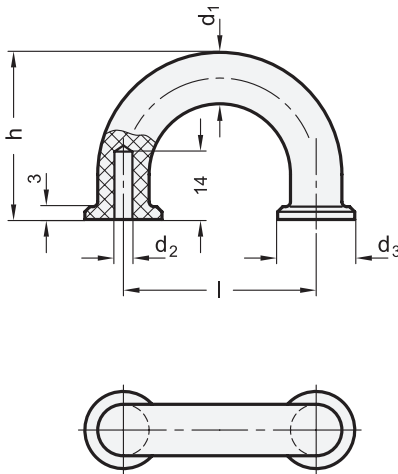




ELESA original design MFH



1.1

1.2

1.3

1.4

¹ d ₁	² Length l ±0,25	³ d ₂ Bore B	d ₃	h
9	30	B 3,5	12	27
10	40	B 3,5	15	33,5

2.1

Specification

- Plastic
Technopolymer (Polyamide PA)
temperature resistant up to 100 °C
- Color (matte):
 - SW black, RAL 9005
 - OR orange, RAL 2004
 - GR gray, RAL 7035
 - RT red, RAL 3000
 - CL white, RAL 9002, Cleanline
- *Plastic characteristics* → Page 1483
- RoHS compliant

⁴

Information

Finger handles GN 224.3 with bore hole B 3,5 are intended for fixing with self-tapping screws of thread size ST 4,2 such as DIN ISO 7049 fillister-head screws.

see also...

- *Product family Cleanline* → Page 17
- *Finger handles GN 224.1* → Page 121
- *Stainless Steel-Finger handles GN 224.5* → Page 121

2.2

2.3

2.4

How to order	
¹ d ₁	1 d ₁
² Length l	2 Length l
³ d ₂	3 d ₂
⁴ Material	4 Material

GN 224.3-10-40-B3,5-SW

