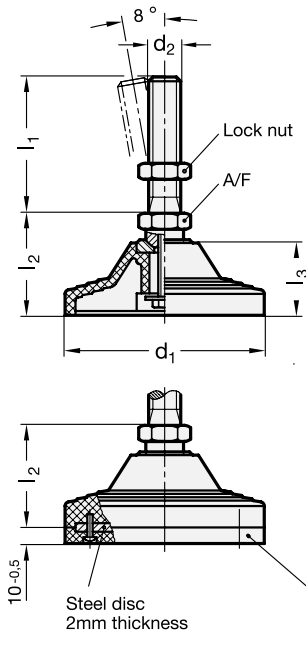
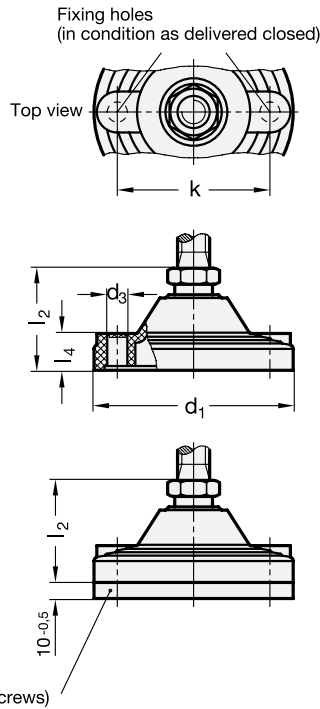


GN 244



GN 245



ELESA original design LV.A-ACV

- 4 Type**
- A** without nut, without rubber underlay
 - B** with nut, without rubber underlay
 - AG** without nut, with rubber underlay
 - BG** with nut, with rubber underlay

1 d_1	2 d_2	3 l_1	l_2	l_3	l_4	d_3	k	A/F	Static load in kN (see information)	
125	M 20	136	186	64	45	23	12,5	95	24	40
125	M 24	136	186	64	45	23	12,5	95	24	40
125	M 30	136	186	64	45	23	12,5	95	30	40

Specification

- Foot
Plastic Technopolymer (Polyamide PA)
- glass fiber reinforced
- black, matte
- temperature resistant up to 100 °C
- Threaded stud
Steel zinc plated, blue passivated
- Tensile strength class 5.8
- Hexagon nut DIN 934
Steel zinc plated, blue passivated
- Rubber underlay (NBR)
- Hardness 90 Shore A, black
- reinforced by zinc plated steel disc
- *Plastic characteristics* → Page 1483
- *Elastomer characteristics* → Page 1483
- RoHS compliant

Information

Levelling feet GN 244 / GN 245 are known for their high static load capacity.

The values given in the table regarding the static load capacity serve as a guide only and if these are exceeded serious permanent deformation or breakage of the plastic socket could occur.

The values given above have been arrived at by a series of tests whereby a limited number of levelling feet were subjected for a limited time to a vertical static load in relation to the feet.

How to order (without fixing holes)	1 d_1
	2 d_2
GN 244-125-M24-136-BG	3 l_1
	4 Type

How to order (with fixing holes)	1 d_1
	2 d_2
GN 245-125-M20-186-A	3 l_1
	4 Type