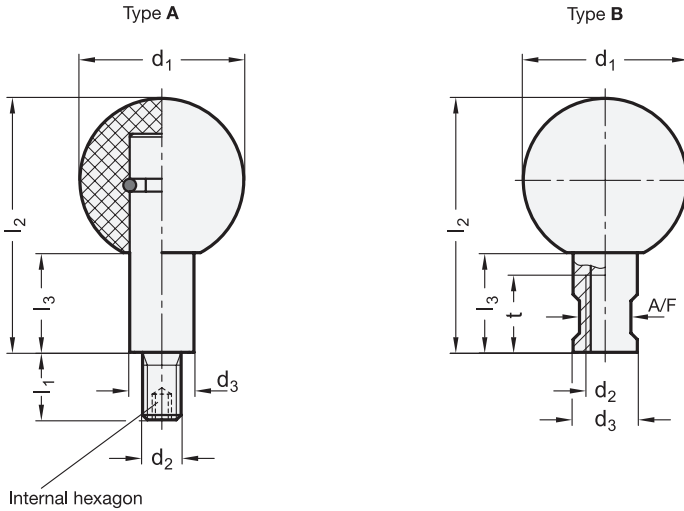


# GN 319.2 Revolving ball knobs

Spindle steel



### 3 Type

- A with male thread
- B with female thread

1

2

d <sub>1</sub>	d <sub>2</sub>	d <sub>3</sub>	l <sub>1</sub>	l <sub>2</sub> ±1	l <sub>3</sub> ±1	A/F	t min.
25	M 6	10	11	37,5	15	8	10
32	M 8	13	13	48	19	10	12
40	M 10	16	14	61	24	14	16
50	M 12	20	21	78	31	17	16

## Specification

- Plastic  
Duroplast (Phenolic PF)  
- temperature resistant up to 110 °C  
- black, shiny finish
- Spindle  
Steel  
zinc plated, blue passivated
- *Plastic characteristics* → Page 1483
- **RoHS-compliant**

## Information

Revolving ball knobs GN 319.2 can be utilized instead of revolving handles i. e. with handwheels.

### How to order

GN319.2-32-M8-A

1	d <sub>1</sub>
2	d <sub>2</sub>
3	Type

1.1

1.2

1.3

1.4

2.1

2.2

2.3

2.4

