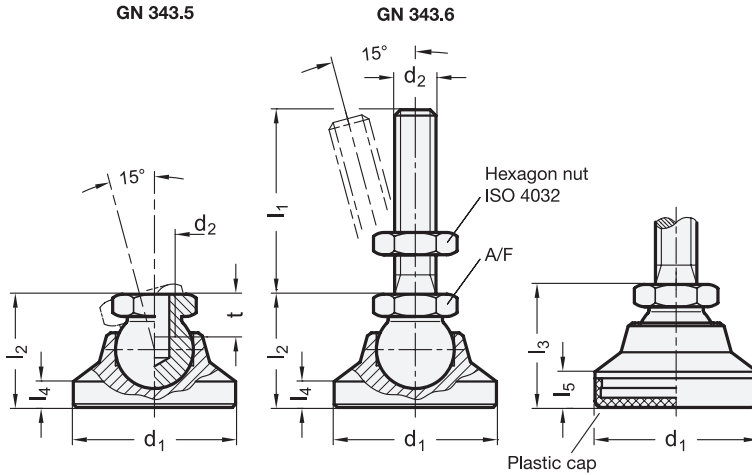




4 Type

- OS** without plastic cap
- KS** with plastic cap, gliding
- KR** with plastic cap, non-gliding
- KSE** with plastic cap, gliding, electrically conductive (antistatic)
- KRE** with plastic cap, non-gliding, electrically conductive (antistatic)



d₁	d₂ GN 343.5	d₂ GN 343.6	l₁	l₂	l₃	l₄	l₅	A/F	t min.	Static load in kN for GN 343.6 (see Information)		
25	M 6	M 6	40	50	63	19	20,5	4	5,5	12	9	4
25	M 8	M 8	40	50	63	19	20,5	4	5,5	12	9	7
25	-	M 10	50	63	80	19	20,5	4	5,5	12	-	11
32	M 8	M 8	40	50	63	23	24,5	5	6,5	12	9	7
32	M 10	M 10	50	63	80	23	24,5	5	6,5	15	10,5	11
32	-	M 12	63	80	100	23	24,5	5	6,5	15	-	16
40	-	M 8	50	63	80	26	27,5	6	7,5	15	-	7
40	M 10	M 10	50	63	80	26	27,5	6	7,5	15	10,5	11
40	M 12	M 12	63	80	100	26	27,5	6	7,5	17	11,5	16
50	-	M 8	50	63	80	28	29,5	7	8,5	15	-	7
50	M 10	M 10	50	63	80	28	29,5	7	8,5	15	10,5	11
50	M 12	M 12	63	80	100	28	29,5	7	8,5	17	11,5	16
50	-	M 16	63	80	100	28	29,5	7	8,5	17	-	30
60	-	M 10	50	63	80	36	37,5	8,5	10	17	-	11
60	M 12	M 12	63	80	100	36	37,5	8,5	10	17	11,5	16
60	M 16	M 16	80	100	125	36	37,5	8,5	10	24	16	30
60	-	M 20	98	138	158	36	37,5	8,5	10	24	-	45
60	-	M 24	98	138	158	36	37,5	8,5	10	24	-	45



Specification

- Stainless Steel AISI 303
- Type **KS / KSE**
 Plastic cap
 Polyacetal (POM)
 - KS: white (natural color) RAL 9001
 - KSE: black, electrically conductive
 Surface resistivity: $< 10^6 \Omega$
 Volume resistivity: $< 10^7 \Omega$
 DIN EN 61340-5-1 / 61340-2-3
- Type **KR / KRE**
 Plastic cap
 Elastomer (TPE), 78 Shore A \approx
 - KR: black
 - KRE: black, electrically conductive
 Surface resistivity: $< 10^6 \Omega$
 Volume resistivity: $< 10^7 \Omega$
 DIN EN 61340-5-1 / 61340-2-3
- Hexagon nut ISO 4032
 Stainless Steel AISI 304
- *Stainless Steel characteristics* → Page 1489
- *Plastic characteristics* → Page 1483
- *Elastomer characteristics* → Page 1483
- **RoHS compliant**

Information

The static load of the Stainless Steel-Levelling feet GN 343.5 / GN 343.6 is limited by the load capacity of the ball joint / threaded stud (AISI 303).

The static load values (only valid for Type OS, KS and KSE) in the above table refer to a net vertical load in relation to the levelling foot. Under normal operating conditions side loading or angular loading is not uncommon and the load capacity would be considerably reduced which must be taken into consideration.

Stainless Steel-Levelling feet GN 343.5 / GN 343.6 cannot be disassembled.

see also...

- *Levelling feet GN 343.1 / GN 343.2 (Steel)* → Page 1014
- *Levelling feet GN 343.3 / GN 343.4 (Foot plastic, female thread / threaded stud steel)* → Page 1016
- *Levelling feet GN 343.7 / GN 343.8 (Foot plastic, female thread / threaded stud St. Steel)* → Page 1020
- *Levelling feet GN 342.1 / GN 342.2 (with vibration damping)* → Page 1022

How to order (with female thread)

GN 343.5-25-M8-KS

1	d ₁
2	d ₂
4	Type

How to order (with threaded stud)

GN 343.6-40-M12-100-OS

1	d ₁
2	d ₂
3	l ₁
4	Type