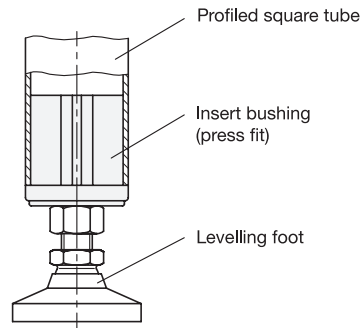


Installation example



ELESA original design ND.0

1 2 3

s ₁	s ₂	d	l ₁	l ₂	t	Tube dimensions			Static load in N (see information)
						outside	inside	Wall thickness	
30	27	M 8	33	6	15	30	27	1,5	17000
30	27	M 10	33	6	15	30	27	1,5	17000
30	27	M 12	33	6	18	30	27	1,5	17000
30	27	M 16	33	6	20	30	27	1,5	17000
40	36	M 8	43	8	15	40	36	2	18000
40	36	M 10	43	8	15	40	36	2	18000
40	36	M 12	43	8	18	40	36	2	18000
40	36	M 16	43	8	20	40	36	2	18000
50	45	M 12	55	10	18	50	45	2,5	20000
50	45	M 16	55	10	20	50	45	2,5	20000
50	45	M 20	55	10	30	50	45	2,5	20000
50	46	M 12	55	10	18	50	45	2	20000
50	46	M 16	55	10	20	50	45	2	20000
50	46	M 20	55	10	30	50	45	2	20000

Specification

- Plastic (Polyamide PA)
 - glass fiber reinforced
 - black, matte
 - temperature resistant up to 120 °C
- Bushing
 - Brass, nickel-plated
- *Plastic characteristics* → Page 1483
- **RoHS compliant**

Information

Insert bushings GN 348 offer the possibility of mounting screws in profiled square tubes. The bushes are held in place via the tapered plug-in section in the tube.

The values given in the table regarding the static load capacity serve as a guide only and if these are exceeded serious permanent deformation or breakage of the insert bushings could occur.

The details relating to the load bearing capacity are non-binding recommended values and rule out any liability. They constitute no general warranty of quality and condition. The user must determine from case to case whether a product is suitable for the intended use.

see also...

- *Insert bushings GN 992 / GN 992.5* → Page 843

How to order

GN 348-30-27-M12

1 s₁
2 s₂
3 d