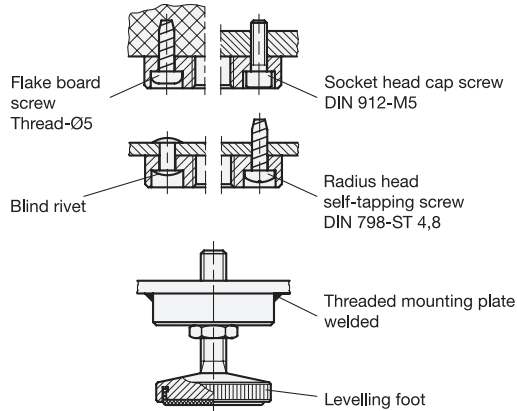


**Installation example/
Mounting possibilities**



d₁	d₂			d₃	d₄	h	k	t
36	M 8	M 10	M 12	5,3	10	10	24	5,3

Specification

- Steel
 - weldable
 - blackened
- RoHS compliant

Information

GN 349 mounts are used on levelling feet particularly in such cases where a machine shrouding is made of very thin sheet metal.

How to order	1	d₁
	2	d₂

GN 349-36-M10