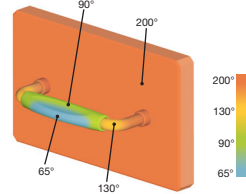
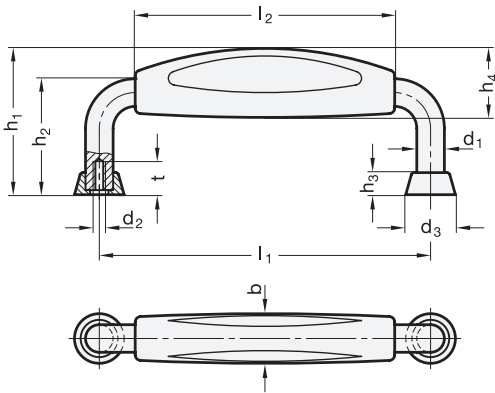




elesa

ELESA Original design MMT.



1.1
1.2
1.3
1.4
1.5
1.6
1.7
1.8
1.9

1

2

d ₁	l ₁ ±0,5	l ₂	b	d ₂	d ₃	h ₁	h ₂	h ₃	h ₄	t min.
10	120	94	16	M 5	18	53	43	8	24	12
10	180	94	16	M 5	18	56	43	8	24	12

Specification

- Steel
matt chrome-plated
- Plastic handle
Technopolymer (Polyamide PA)
- glass fibre reinforced
- temperature resistant up to 150 °C
- black, matt
- *Plastic characteristics* → Page xx
- **RoHS compliant**

Information

Cabinet „U“ handles GN 425.7 out of steel feature a plastic grip which, owing to its insulating properties, allows it to be used under high surface temperatures.

The above temperature distribution curve has been measured at a surface temperature of 200° C and a room temperature of 23° C.

see also...

- Cabinet „U“ handles GN 425 (without plastic insulation) → Page xx

How to order

GN425.7-10-120

- 1 d₁
- 2 l₁