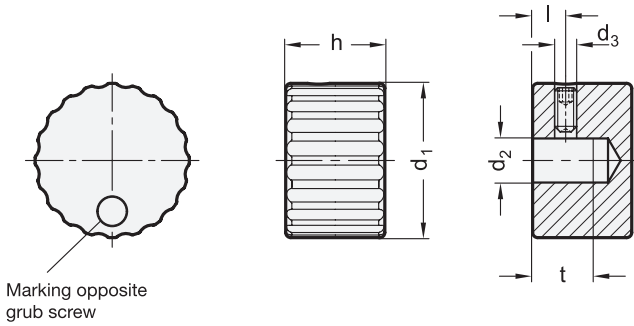





 Inox
 Stainless
 Steel

3 Type

- N** without indicator point
- M** with indicator point



1

2

d₁	d₂ H8 Bore		d₃	h	Length l	t min.
24	B 5	B 6	M 4	16	4	10
28	B 6	B 8	M 4	18	4	11

Specification

- Stainless Steel AISI 304
- matt shot-blasted **MT**
- Indicator point (Type M)
engraved with laser precision
- Stainless Steel-Grub screw DIN 916
with internal hexagon and serrated point
- *Stainless Steel characteristics* → Page 1489
- **RoHS compliant**

4

Information

- see also...
- *Stainless Steel-Knurled nuts GN 536* → Page 452

How to order





GN 436-24-B6-N-MT

1	d₁
2	d₂
3	Type
4	Finish