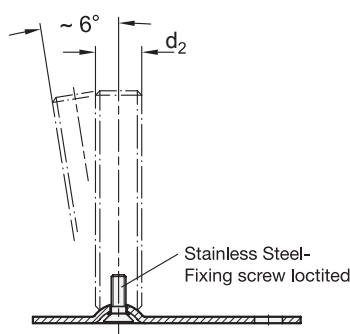
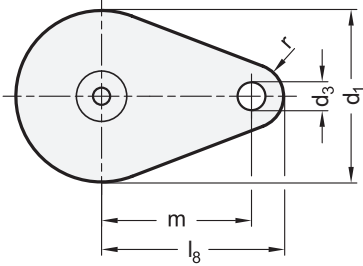
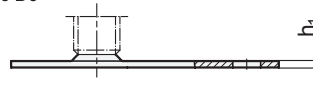


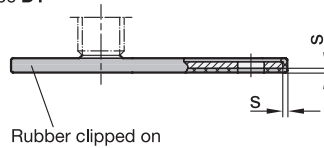
Top view



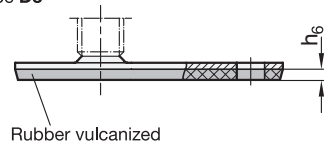
Type D0



Type D1



Type D3



EDELSTAHL®
Rostfrei
Inox
Stainless
Steel

4 Type (Base plate)

- D0** without rubber underlay
- D1** with rubber underlay, clipped on, black
- D3** with rubber underlay, vulcanized, black

d ₁	d ₂	l ₁						l ₂						l ₃						l ₇	A/F ₇	t
		Version S / SK			Version T / TK and U / UK			Version V / VK			Version W			Vers. X								
50	M 8	40	50	63	-	-	-	-	-	-	-	-	-		-	-	-	-	-	25	14	8
50	M 10	50	60	80	100	-	-	-	-	-	-	-	-	-	-	-	-	-	28	14	10	
50	M 12	60	80	100	125	-	-	-	-	-	-	-	-	-	-	-	-	-	32	17	12	
50	M 16	-	-	-	-	75	100	125	150	200	-	-	-	-	-	-	-	-	37	22	16	
60	M 8	40	50	63	-	-	-	-	-	-	-	-	-	-	-	-	-	-	25	14	8	
60	M 10	50	60	80	100	-	-	-	-	-	-	-	-	-	-	-	-	-	28	14	10	
60	M 12	60	80	100	125	-	-	-	-	-	-	-	-	-	-	-	-	-	32	17	12	
60	M 16	-	-	-	-	75	100	125	150	200	75	100	125	150	110	135	160	185	37	22	16	
80	M 8	40	50	63	-	-	-	-	-	-	-	-	-	-	-	-	-	-	26	14	8	
80	M 10	50	60	80	100	-	-	-	-	-	-	-	-	-	-	-	-	-	29	14	10	
80	M 12	60	80	100	125	-	-	-	-	-	-	-	-	-	-	-	-	-	32	17	12	
80	M 16	-	-	-	-	75	100	125	150	200	75	100	125	150	110	135	160	185	38	22	16	
80	M 20	-	-	-	-	75	100	125	150	200	100	125	150	200	134	159	184	234	45	27	20	
80	M 24	-	-	-	-	100	125	150	200	-	100	150	200	-	159	209	259	-	-	-	-	

Specification

- Base plate, blank ground
Stainless Steel AISI 304 (A2)
- Threaded stem
Stainless Steel AISI 303 (A1)
- Hexagon nut ISO 4032
Stainless Steel, A2
- Rubber cap, clipped on
black, Santoprene® (TPE)
≈ 80 Shore A
- Rubber underlay, vulcanized
black, Perbunan® (NBR)
70 ± Shore A
- *St. Steel characteristics* → Page 1489
- *Elastomer characteristics* → Page 1483
- *Load rating information* → Page 1474
- **RoHS compliant**

Versions of threaded stem

<p>S without nut SK with nut</p>	<p>T without nut TK with nut</p>	<p>U without nut UK with nut</p>
<p>External hexagon at the bottom at d_2 M 8, M 10, M 12</p>	<p>Wrench flat at the bottom at d_2 M 16, M 20, M 24 „not dipping“ version</p>	<p>Hexagon socket at the top at d_2 Wrench flat at the bottom M 16, M 20, M 24</p>

<p>V without nut VK with nut</p>	<p>W with adjustable sleeve</p>	<p>X with female thread</p>
<p>External hexagon at the top Wrench flat at the bottom at d_2 M 16, M 20, M 24</p>	<p>Wrench flat at the bottom at d_2 M 16, M 20, M 24</p>	<p>External hexagon with female thread at d_2 M 8, M 10, M 12, M 16, M 20</p>

d_1	d_2	d_3	d_5	h_1	h_3	h_4	h_5	h_6	l_4	l_5	l_6	l_8	m	r	s	A/F ₁	A/F ₂	A/F ₃	A/F ₄	A/F ₅	A/F ₆
50	M 8 M 10 M 12	13	-	2,5	11	-	4	-	-	-	-	60	45	15	2	17	-	-	-	-	-
50	M 16	-	-	13	-	2,5	17	14	4	-	-	60	45	15	2	-	12	8	-	-	-
60	M 8 M 10 M 12	13	-	2,5	11	-	4,5	-	-	-	-	75	50	15	2	17	-	-	-	-	-
60	M 16	-	-	13	24	2,5	17	14	4,5	45	29	75	50	15	2	-	12	8	10	12	20
80	M 8 M 10 M 12	13	-	3	12	-	5	-	-	-	-	85	70	15	2	17	-	-	-	-	-
80	M 16	-	-	13	24	3	18	15	5	45	29	85	70	15	2	-	12	8	10	12	20
80	M 20	-	-	13	30	3	19	15	5	56	37	85	70	15	2	-	15	10	13	16	24
80	M 24	-	-	13	35	3	22	18	5	67	42	85	70	15	2	-	19	12	17	20	30

Information

GN 43 Stainless Steel-Levelling feet are for use in aggressive environments. The range of combinations of base plates and adjustable spindle versions allows these levelling feet to be used in every situation.

The levelling feet can be screwed to the mounting surface use the fixing lug, which prevents lateral shifting. Moreover, the types with the rubber underlay protect sensitive surfaces.

The levelling feet are supplied fully assembled and are not removable.

see also...

- Levelling feet GN 42 (Steel, with fixing lug) → Page 1040
- St. Steel-Levelling feet GN 41 (A2, without fixing lug) → Page 1042
- St. Steel-Levelling feet GN 43 (A2, with fixing lug, rectangular shape) → Page XYZ
- St. Steel-Levelling feet GN 44 / GN 45 (A4, without / with fixing lug) → Page XYZ / XYZ
- Insert bushings GN 448 (Plastic, for tubes) → Page XYZ / XYZ
- Stainless Steel-Insert bushings GN 992.5 (for tubes) → Page 1059

How to order	1 d_1
	2 d_2
	3 l_1
	4 Type (Base plate)
	5 Version (Stem)

GN 43-50-M12-32-D3-X