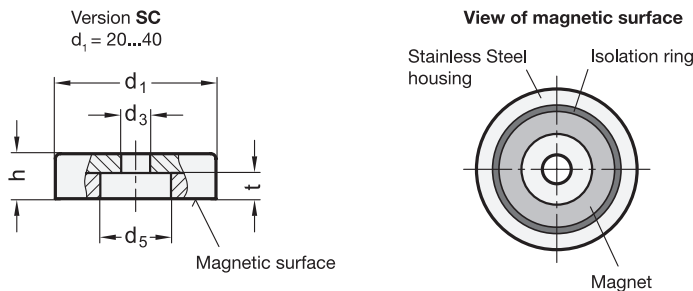
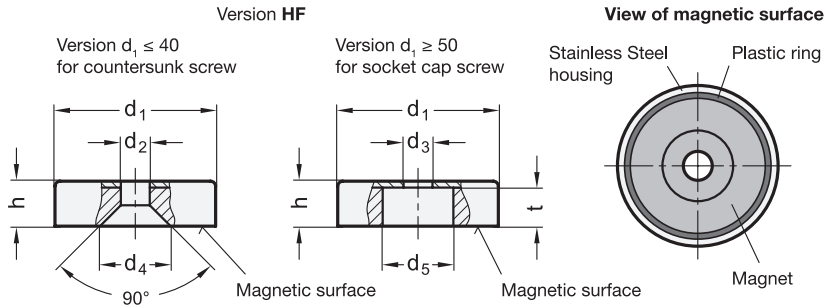


ROSTFREI
Inox
Stainless
Steel



2

d ₁	Material of the magnet HF						Material of the magnet SC				Nominal magnetic forces in N	
	d ₂	d ₃	d ₄	d ₅	h	t	d ₃	d ₅	h	t	HF Hard ferrite	SC SmCo
20 ±0,1	4,1	-	10	-	6 +0,2/-0,1	-	4,5	8	6 ±0,1	3,5	22	60
25 ±0,1	5,5	-	11,5	-	7 +0,3/-0,2	-	4,5	8	7 ±0,2	4	29	80
32 ±0,1	5,5	-	11,5	-	7 +0,3/-0,2	-	5,5	11	7 ±0,2	4	58	200
40 +0,2/-0,1	5,5	-	11,5	-	8 +0,4/-0,2	-	5,5	10,5	8 ±0,2	4	72	420
50 +0,2/-0,1	-	8,5	-	22	10 +0,5/-0,2	8,5	-	-	-	-	145	-
63 +0,3/-0,1	-	6,5	-	24	14 +0,5/-0,2	12	-	-	-	-	230	-

Specification

- Housing
Stainless Steel
- Materials of the magnet:
 - Hard ferrite
temperature resistant up to 220 °C
 - SmCo
Samarium, cobalt
temperature resistant up to 350 °C
- RoHS compliant

1

Information

Stainless Steel-Retaining magnets GN 50.45 are a shielded magnetic system.

Owing to the lower magnetic conductivity of the Stainless Steel housing, the magnetic forces are lower than in steel.

To ensure that the magnetic properties (magnetic forces) are not impaired, the fixing screws must be made of **non-magnetic** material.

see also...

- More information to retaining magnets → Page 1380 ff.
- Holding discs GN 70 → Page 1414

On request

- Raw magnets in ring shape in hard ferrite (HF)

How to order

GN 50.45-HF-50

1	Material of the magnet
2	d ₁

3.1

3.2

3.3

3.4

3.5

3.6

3.7

3.8

3.9

