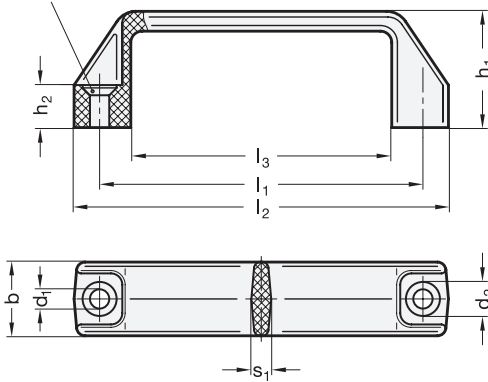


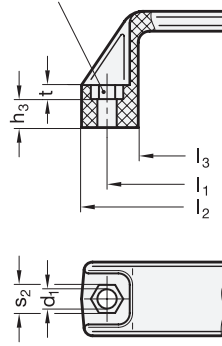


ELESA Original design M.443 EH/SH

GN 528.2
Bore for countersunk screw
DIN 7991



GN 528.3
Bore for hexagon head screw
DIN 931/ISO 4014



| ² l ₁ GN 528.2 | ² l ₁ GN 528.3 | b | d ₁ | d ₂ | h ₁ | h ₂ | h ₃ | l ₂ | l ₃ | s ₁ | s ₂ | t |
|---|---|----|----------------|----------------|----------------|----------------|----------------|----------------|----------------|----------------|----------------|-----|
| 94 -1 | 94 -1 | 21 | 5,5 | 10 | 38 | 13 | 7 | 109 | 74 | 6 | 8 | 6 |
| 117 ±1 | 117 ±1 | 26 | 6,5 | 12 | 41 | 15 | 9 | 137 | 93 | 7 | 10 | 6 |
| - | 122 ±1 | 26 | 6,5 | - | 41 | - | 8,5 | 142 | 100 | 7 | 10 | 6,5 |
| 140 ±1 | 140 ±1 | 27 | 6,5 | 12 | 46 | 16 | 9,5 | 160 | 113 | 7 | 10 | 6,5 |
| - | 150 ±1 | 27 | 6,5 | - | 47 | - | 10,5 | 172 | 125 | 7 | 10 | 6,5 |
| 160 ±1 | 160 ±1 | 28 | 6,5 | 12 | 50 | 17 | 10,5 | 179 | 132 | 7 | 10 | 6,5 |
| 179 ±1 | - | 28 | 6,5 | 12 | 50 | 17 | - | 197 | 151 | 7,5 | - | - |

Specification

- Plastic **PA**
Technopolymer (Polyamide)
- glass fibre reinforced
- temperature resistant up to 150 °C
- black, RAL 9005, matt ● **SW**
- *Plastic characteristics* → Page xx
- *Strength properties* → Page xx
- **RoHS compliant**

Information

- see also...
- *Cabinet „U“ handles GN 528 (for socket head cap screws)* → Page XYZ

| | |
|--|-------------------------|
| Cabinet „U“ handle | 1 Material |
| ¹ ² ³ GN528.2-PA-179-SW | 2 l ₁ |
| | 3 Colour |

| | |
|--|-------------------------|
| Cabinet „U“ handle | 1 Material |
| ¹ ² ³ GN528.3-PA-150-SW | 2 l ₁ |
| | 3 Colour |

1.1
1.2
1.3
1.4
1.5
1.6
1.7
1.8
1.9