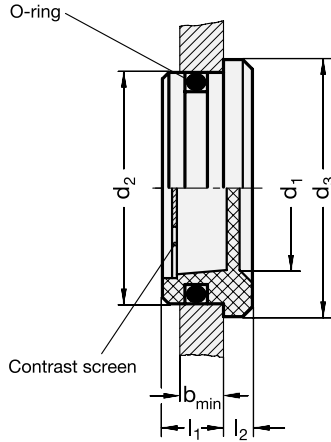
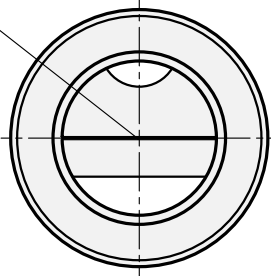


Red mark for oil level



ELESA Original design HE.

4 Type

- A** with contrast screen
- B** without contrast screen

2

3

d₁ Window glass	d₂ H11 Bore-Ø	d₃	b_{min}	l₁	l₂
9	17	18	5	7	3
12	20	21	6	7	3
17	26	28	6	7	3
20	30	32	7	8	4
25	35	38	8	9	4
28	40	43	9	10	4
32	45	47	9	11	5

Specification

- Body
Plastic
crystal-clear Polycarbonat (PC)
- high mechanical strength
- temperature resistant up to 100 °C
- not solvent resistant
- not alcohol resistant
- O-Ring
rubber NBR (Perbunan)
- Contrast screen
Aluminium
- white lacquered
- with red mark for oil level
- RoHS compliant

1

NO

Information

This oil level glass GN 542 does not require a thread.

The window glass is recessed, giving better protection to the window.

Assembly instruction:

Press in the oil level sight glass manually, then possibly use an intermediate layer such as wood or a hammer. Chamfer hole 1x45° and grease slightly the outside surface of the O-ring to make assembly easier.

How to order

GN542-NO-17-26-A

1	Material
2	d₁
3	d₂
4	Type