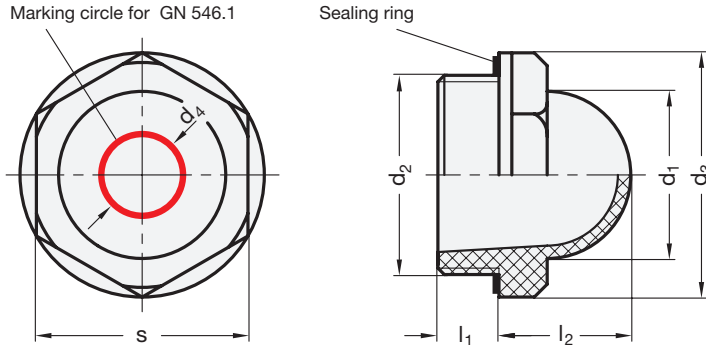




elesa

ELESA Original design HCFE.



¹ d ₁	² d ₂ GN 546	GN 546.1	d ₃	d ₄	l ₁	l ₂	s	recommended tightening torque in Nm
15	G 3/8	-	22,5	-	7,5	13	19	3 ... 5
19	G 1/2	G 1/2	26	7	10,5	16	22	4 ... 6
25	G 3/4	G 3/4	31,5	12	10,5	19,5	27	6 ... 8
31	G 1	G 1	42	15	11	24	36	8 ... 10
38	G 1 1/4	-	46,5	-	11,5	26,5	40,5	12 ... 15

Specification

- Plastic crystal-clear Polyamide (PA-T)
 - high mechanical strength
 - temperature resistant up to 100 °C
 - solvent resistant, but not suitable for alcohol
- Red marking ring pad printing
- Sealing ring rubber NBR (Perbunan)
- *Elastomer characteristics* → Page xx
- *Plastic characteristics* → Page xx
- **RoHS compliant**

Accessory

- Fixing nut GN 543.1 → Page xx

Information

Oil level sight glasses GN 546 / GN 546.1 are mainly used as oil circulation indicators.

They are practically indestructible, even if high torque is applied there is no danger of breakage.

Assembly instruction:

For mounting on walls of less than 4 mm thickness please use a fixing nut GN 543.1.

Oil level sight glass	1	d ₁
¹ ² GN 546-25-G 3/4	2	d ₂

Oil level sight glass	1	d ₁
¹ ² GN 546.1-31-G 1	2	d ₂