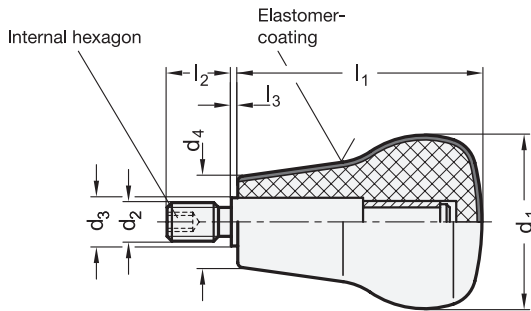




ELESA Original design IEL+x SOFT



1

2

3

$d_1$	$l_1$	$d_2$		$d_3$	$d_4$	$l_2$	$l_3 \approx$
45	47	-	M 10	12	28	17	1
45	64	M 8	M 10	12	21	17	1

## Specification

- Plastic  
Technopolymer (Polypropylene PP)  
- coated with a soft elastomer (TPE)  
70 Shore A  
- temperature resistant up to 80 °C  
- black, matte finish
- Softline-coating and plastic core  
chemically bonded
- Spindle  
Steel  
zinc plated, blue passivated
- *Elastomer characteristics* → Page 1483
- *Plastic characteristics* → Page 1483
- **RoHS compliant**

## Information

Revolving mushroom shaped handles GN 597.1 are in general used for such applications when a pulling action is involved on handwheels or cranked handles.

The semi-hard plastic material used, coupled with the shape of the handle, makes it very operator friendly.

The **soft, slip-proof** contact area improves the contact both in hot (hand sweat) and in dry ambient conditions, in the event of oily surfaces and in very high or very low (freezing) temperatures.

These mushroom shaped handles replace the former GN 597 design version.

see also...

- *Product family Softline* → Page 17
- *Revolving ball knob GN 596*
- *Revolving ball knob GN 319.2* → Page 38

How to order

GN 597.1-45-64-M10

1  $d_1$   
2  $l_1$   
3  $d_2$