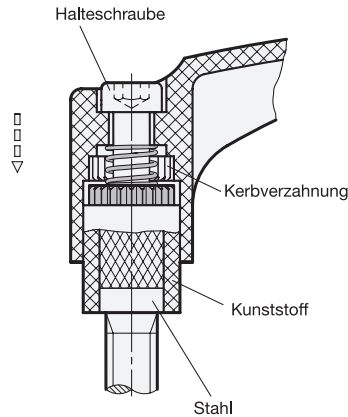
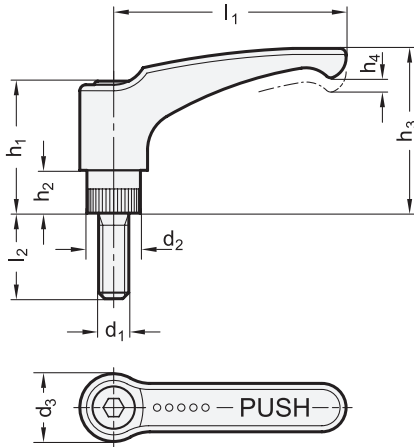




ELESA Original design ERS.p



1.1  
1.2  
1.3  
1.4  
1.5

1	2	3							
$l_1$	$d_1$	$l_2$		$d_2$	$d_3$	$h_1$	$h_2$	$h_3$	$h_4$ Stroke
44	M 6	16	25	12	15,5	29	9	36	3,5
63	M 8	20	30	15	19	37	12	48	4

Specification

- Handle  
Plastic  
Technopolymer (Polyamide PA)  
- glass fibre reinforced  
- temperature resistant up to 130 °C  
- black-grey, RAL 7021 ● SG
- Threaded stud and retaining screw  
Steel, blackened
- Plastic characteristics → Page xx
- RoHS compliant

4

Information

Safety hand levers GN 604.2, like all the products of the Ergostyle group, are renowned for their good style but also their ergonomic shape. The gently arched handle with a reinforced end of the lever gives the operator a good grip.

Safety hand levers GN 604.2 are used where the inadvertent loosening or readjustment can result in accidents.

If not operated, the lever is not linked to the threaded insert, i.e. the adjustable lever turns freely.

As soon as the lever hub is pushed down, both serrations will engage, allowing the fixture to be released or clamped.

After „releasing“, the connection disengages through spring tension.

see also...

- Product family Ergostyle® → Page xx
- Safety tension levers GN 312 → Page xx
- Safety star knobs GN 5337.3 → Page xx

1.6  
1.7  
1.8  
1.9

How to order	1	$l_1$
	2	$d_1$
	3	$l_2$
	4	Colour
<b>GN 604.2-44-M6-25-SG</b>		