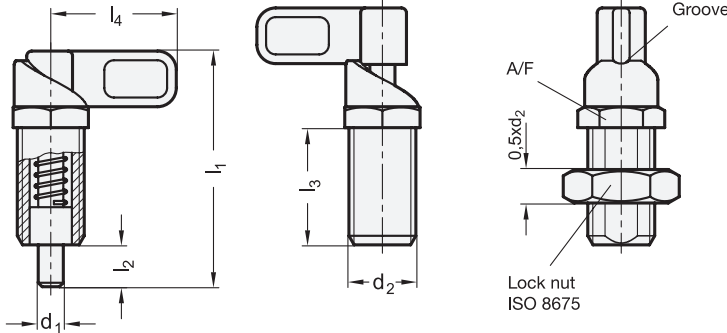
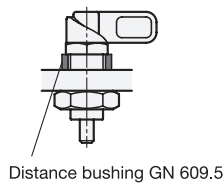


Plunger pin retracted



- 3 Type**
A without lock nut
AK with lock nut

Assembly instruction



Distance bushing GN 609.5

d ₁ Pin -0.05 Bore +0.1 -0.05	d ₂	l ₁	l ₂	l ₃	l ₄	A/F	Spring load in N ≈	
							initial	end
4	M 12 x 1,5	48	8	25	25	13	8	22
5	M 12 x 1,5	48	8	25	25	13	8	22
6	M 12 x 1,5	48	8	25	25	13	8	22
6	M 16 x 1,5	56,5	10	28	30	18	11	30
8	M 16 x 1,5	56,5	10	28	30	18	11	30
8	M 20 x 1,5	69,5	12	36	37	22	20	56
10	M 16 x 1,5	56,5	10	28	30	18	11	30
10	M 20 x 1,5	69,5	12	36	37	22	20	56
12	M 20 x 1,5	69,5	12	36	37	22	20	56

Specification

- Threaded body
Zinc die casting
- corrosion-resistant
 ZNDG Pass nano®-coating
- anthracite
- Plunger pin
Steel
zinc plated, blue passivated
- Lever
Plastic (Polyamide PA)
- black, matt
- not removable
- Load rating information → Page 1463
- Plastic characteristics → Page 1483
- RoHS compliant

Information

- Cam action indexing plungers GN 612.8 are used in cases where the locking pin must not protrude all the time. By rotating the lock through 180° the locking pin withdraws itself. The groove allows safe positioning.
- These cam action indexing plungers made of zinc die casting are very reasonably priced design versions.
- see also...**
- List of cam action indexing plunger types → Page 701 ff.
 - Mounting blocks GN 412.1 → Page 698
 - Mounting blocks GN 612.1 → Page 699
 - Stainless Steel-Distance bushings GN 609.5 (to limit the thread length) → Page 694

How to order	
1	d ₁
2	d ₂
3	Type

GN612.8-8-M16x1,5-A