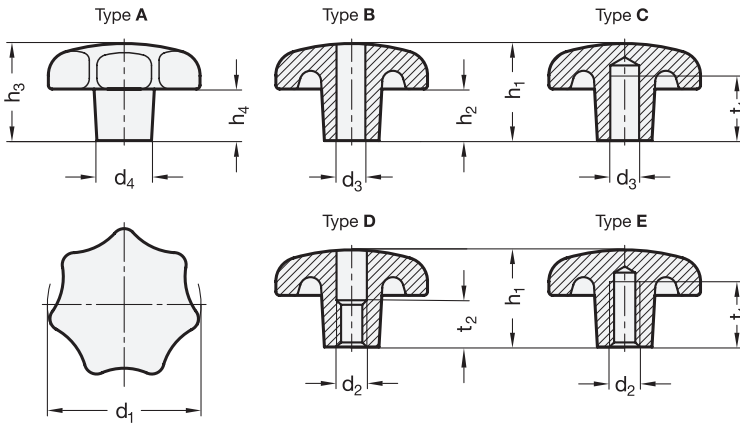




ROSTFREI Rostfrei
Inox Stainless Steel
Inch sizes available



4 Type

- A** without bore (unmachined)
- B** with threaded through bore H7
- C** with threaded blind bore H7
- D** with threaded through bore
- E** with threaded blind bore

2			3		3		d ₄	h ₁ Type B, C, D, E	h ₂ min. Type B, C, D, E	h ₃ Type A	h ₄ min. Type A	1		t ₂
d ₁	NI	AL	d ₂ Thread Type D Type E	d ₃ H7 Bore Type B Type C	GG	AL						NI		
32	32	-	M 6	-	B 6	-	12	20	9	21	10	12	12	10
40	40	40	M 8	-	B 8	-	14	25	12	26	13	15	15	13
50	50	50	M 8	M 10	B 8	B 10	18	32	15	34	17	18	18	16
63	63	63	M 10	-	-	-	20	40	19	42	21	22	18	20
63	63	63	M 12	-	B 10	B 12	20	40	19	42	21	22	22	20
80	-	80	M 12	M 16	B 12	B 16	25	50	23	52	25	28	-	20

Specification

- Cast iron **GG**
- Stainless Steel-Precision casting **NI**
only types A, D, E
- AISI CF-8
- matt shot-blasted
- Aluminium forged **AL**
only types A, C, D, E
- matt finish (ground) **MT**
flash mark not visible
- polished **PL**
- ISO-Fundamental tolerances → Page 1132
- Stainless Steel characteristics → Page 1144
- RoHS compliant

On request

- plastic coated

Information

- see also...
- Star knobs DIN 6336 (Plastic) → Page 275
 - Star knobs GN 6336.1 (Duroplast, with protruding steel bushing) → Page 276
 - Star knobs GN 6336.2 (Technopolymer, with protruding steel bushing) → Page 276
 - Star knobs DIN 6336 with loss protection GN 111.7 → New products

How to order (Cast iron)		1	Material
1 2 3 4		2	d ₁
DIN 6336-GG-63-M12-D		3	d ₂ (d ₃)
		4	Type

How to order (Aluminium)		1	Material
1 2 3 4 5		2	d ₁
DIN 6336-AL-40-B8-C-PL		3	d ₂ (d ₃)
		4	Type
		5	Finish