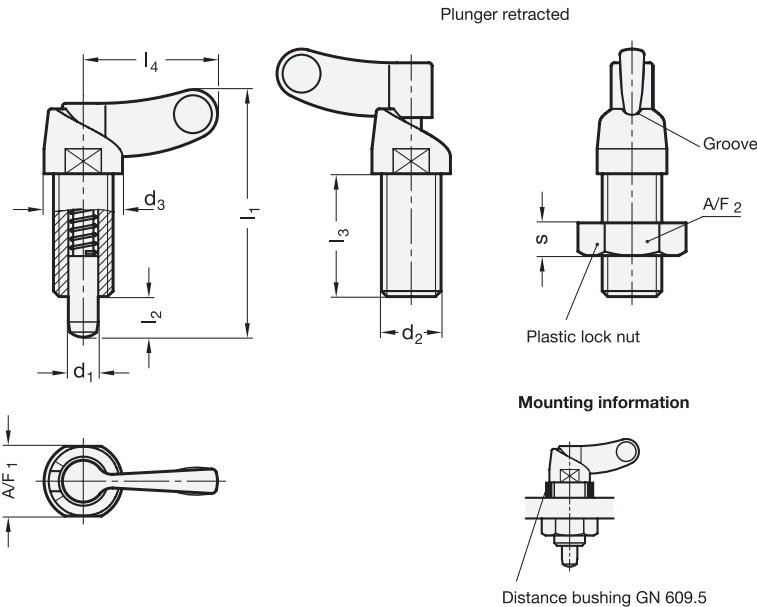


GN 672 Cam action indexing plungers

with plastic guide



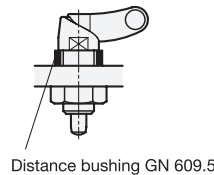
ELESA original design PMT.200



3 Type

- A without lock nut
- AK with lock nut

Mounting information



1

2

d ₁ Pin <small>-0,1 -0,15</small> Bore -0,08	d ₂	d ₃	l ₁ ≈	l ₂	l ₃	l ₄	s	A/F ₁	A/F ₂	max. tightening torque in Nm	Spring load in N ≈	
											initial	end
6	M 12 x 1,5	15,5	51	8	26	26,5	8	14	19	10	9	35
8	M 16 x 1,5	20,5	61	10	30	32,5	10	19	24	18	10	40

Specification

- Guide (Threaded body)
Plastic (Polyamide PA)
- glass fibre reinforced
- temperature resistant up to 130° C
- black, matt
- Plunger pin
- Steel **ST**
hardened, blackened
- Stainless Steel **NI**
German Material No. 1.4305
- Spring
Stainless Steel
German Material No. 1.4319
- Latch
Plastic (Polyamide PA)
- black, matt
- not removable
- Lock nut
Plastic (Polyamide PA)
black, matt
- Plastic characteristics → Page xx
- RoHS compliant

4

Information

Cam action indexing plungers GN 672 are used in cases where the locking pin must not protrude all the time. By rotating the lock through 180° the locking pin withdraws itself. A notch keeps the plunger in this position.

The cam action indexing plungers with plastic guide are a reasonably priced version.

see also...

- Mounting blocks GN 612.1 → Page xx
- Mounting blocks GN 412.1 → Page xx
- Distance bushings GN 609 / GN 609.5 → Page xx
- Flat Stainless Steel-Hexagonal nuts GN 909.5

How to order

1	d ₁
2	d ₂
3	Type
4	Material

GN672-6-M12x1,5-AK-ST