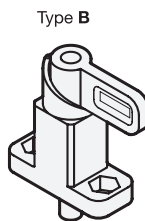
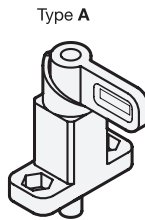
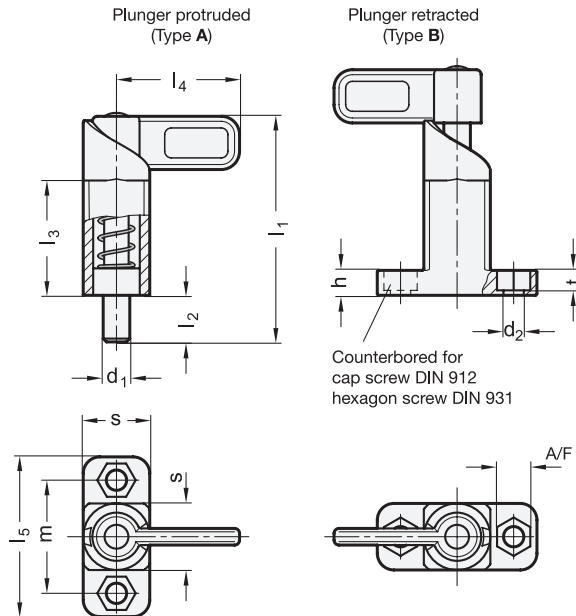


GN 722.2

Steel / Stainless Steel

Spring latches

with flange for surface mounting



ROSTFREI
Inox
Stainless
Steel

3 Type

- A Latch position right-angled to fixing holes
- B Latch position parallel to fixing holes

1 d ₁ Pin -0,05 -0,25 Bore +0,1 +0,3	2 s	d ₂ +0,2	h	l ₁ ≈	l ₂	l ₃	l ₄	l ₅	m	sw	t	Spring load in N ≈			
												Steel initial	Steel end	Stainless Steel initial	Stainless Steel end
8	20	6,1	7,5	68	14	35	37	48	34	10	6,1	16	55	16	45
10	20	6,1	7,5	68	14	35	37	48	34	10	6,1	16	55	16	45
12	20	6,1	7,5	68	14	35	37	48	34	10	6,1	16	55	16	45
14	20	6,1	7,5	68	14	35	37	48	34	10	6,1	16	55	16	45

Specification

- Guide
 - Steel precision cast
 - zinc plated, blue passivated
 - zinc plated and plastic coated black, textured finish
 - Latch
 - zinc plated, blue passivated
 - Plunger pin
 - Steel, zinc plated, blue passivated
 - Spring
 - Stainless Steel AISI 301
- Guide / Latch
 - Stainless Steel precision casting weldable, AISI 316
 - Plunger pin
 - Stainless Steel, AISI 316
 - Spring
 - Stainless Steel AISI 316Ti

- Load rating information → Page 1463
- Stainless Steel characteristics → Page 1489
- RoHS compliant



Information

Spring latches GN 722.2 are used when the plunger pin is temporarily not allowed to protrude. The plunger pin retracts by turning the latch by 180°. A groove will hold the latch in both positions.

ZB

SW

Spring latches GN 722.2 are designed for use in **steel construction** or in **locksmith shops** where less precise positioning / locking is normally required. The dimensional tolerances are therefore chosen to ensure that functional safety is guaranteed under dirt exposure and that cost-effective production methods are used.

see also...

- List of cam action indexing plunger types → Page 701 ff.
- Positioning bushings GN 412.2 → Page 696

A4

How to order (Steel)

1 2 3 4
GN 722.2-12-20-A-SW

- 1 d₁
- 2 s
- 3 Type
- 4 Color (Finish)

How to order (Stainless Steel)

1 2 3 4
GN 722.2-10-20-B-A4

- 1 d₁
- 2 s
- 3 Type
- 4 Material