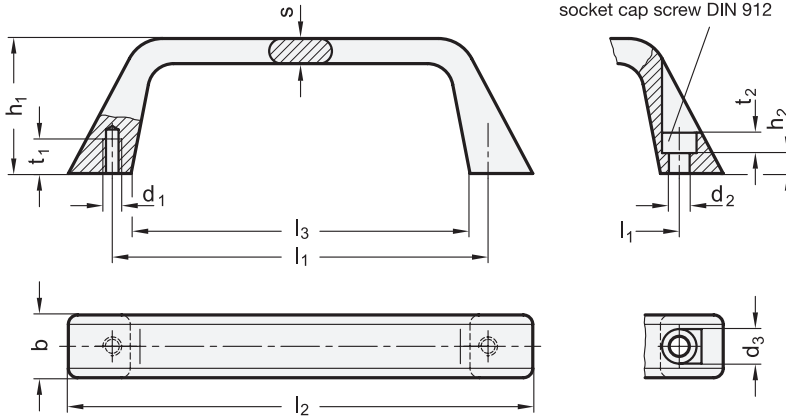




2 Type

- A** Mounting from the back (threaded blind bore)
- B** Mounting from the operator's side



$l_1 \pm 0,25$ GN 728	$l_1 \pm 0,25$ GN 728.5	b	d ₁	d ₂	d ₃	h ₁	h ₂	l ₂	l ₃	s	t ₁ min.	t ₂
120	120	22,5	M 6	6,4	11	42,5	6,5	147	108	8	10	6,5
180	-	27	M 8	8,4	13,5	47,5	7,5	214	165	10	12	8,5

Specification



- **GN 728**
Aluminum pressure die casting
 - plastic coated
 - black, RAL 9005, textured finish ● **SW**
 - silver, RAL 9006, textured finish ○ **SR**
 - blank ○ **BL**
 - tumbled
- **GN 728.5**
Stainless Steel AISI CF-8
 - Precision casting
 - matt shot-blasted
- *Stainless Steel characteristics* → Page 1489
- *Load rating information* → Page 1458
- **RoHS compliant**

Information

The installation of cabinet „U“ handles GN 728 / GN 728.5 can be carried out from the back (Type A) as well as from the operator's side (Type B). The hole centers dimension is identical on all variants. As a result they can be mounted in pairs opposite each other.

see also...

- *Cabinet „U“ handles GN 528*
(Plastic, mounting from the operator's side) → Page 90
- *Cabinet „U“ handles GN 528.1*
(Plastic, mounting from the back) → Page 91
- *Assembly sets for profile systems 30 / 40 GN 965* → Page 1428
- *Assembly sets for profile systems 30 / 40 / 45 GN 968* → Page 1438

How to order (Aluminum)

GN 728-120-A-SW

- 1 l_1
- 2 **Type**
- 3 **Finish**

How to order (Stainless Steel)

GN 728.5-120-B

- 1 l_1
- 2 **Type**