

elesa

ELESA original design EPR-SH



2 Type

- O** without closing flap
- S** with closing flap (only in size b1=120 available)

1

b ₁	b ₂	b ₃	h ₁	h ₂	l ₁	l ₂	l ₃	m ₁	F ₁ in N	F ₂ in N
110 -1	94	96	73	42	24	20	21,5	64	1300	500
120	94	103	95	58	28,5	24	26,5	64	1200	400

* not available from stock, requires a minimum order quantity

Specification

3

- Plastic Technopolymer (Polyamide PA)
 - glass fiber reinforced
 - temperature resistant up to 100 °C
 - black-gray, matte RAL 7021
- Closing flap (type S) with Stainless Steel torque spring
- Color of the cover (matte):
 - black-gray, RAL 7021
 - orange*, RAL 2004
 - gray*, RAL 7035
 - yellow*, RAL 1021
 - blue*, RAL 5024
 - red*, RAL 3000
- Plastic characteristics → Page 1483
- RoHS compliant

- **DSG**
- **DOR**
- **DGR**
- **DGB**
- **DBL**
- **DRT**

Information

The design of the GN 733 gripping trays matches the product family of Ergostyle®.

The removable cover plate shrouds the fixing screws.

The values of the load capacities F₁ and F₂ were tested with wall thickness s = 1,5.

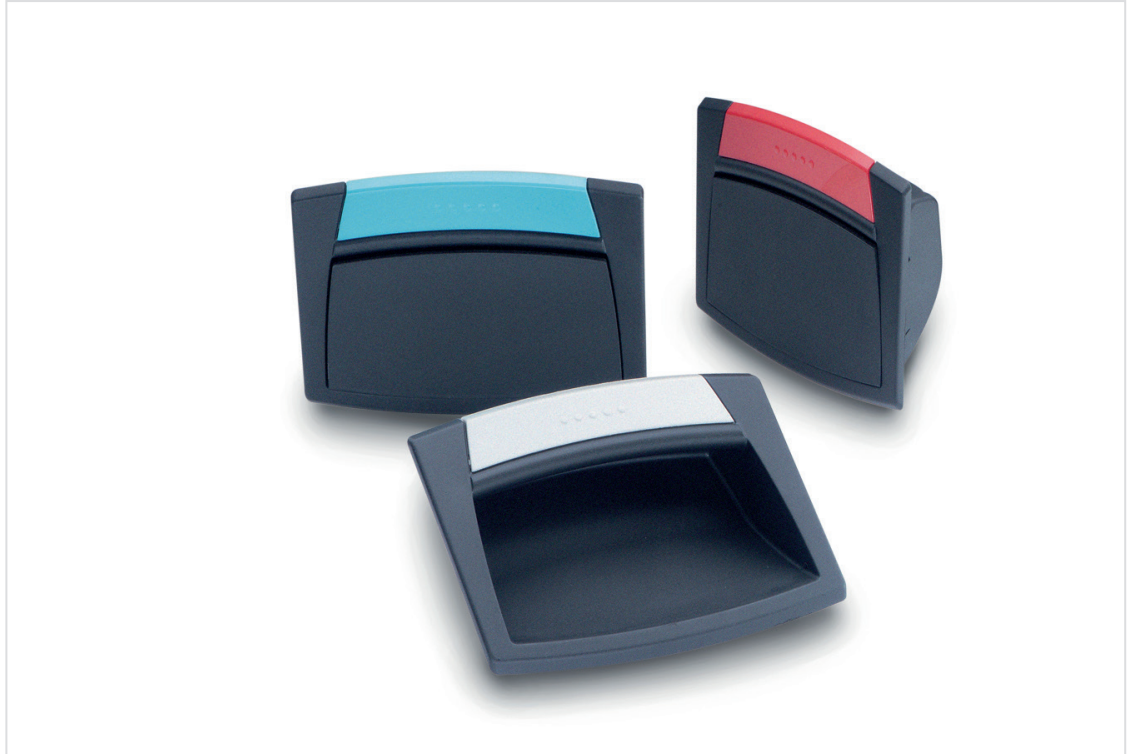
see also...

- Product family Ergostyle® → Page 17
- Gripping trays GN 731.1 → Page 164
- Gripping trays GN 731 (clip-in type) → Page 162

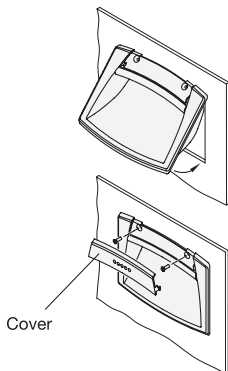
How to order

GN 733-120-S-DSG

1	b ₁
2	Type
3	Color of the cover



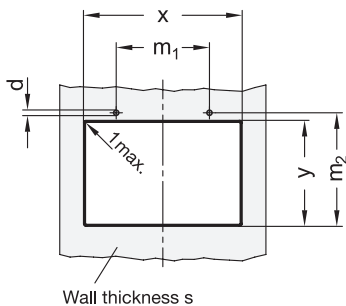
1.1
1.2
1.3
1.4



Mounting information

- 1) Drill the handle housing according to the template dimensions reported in the table.
- 2) Remove all drilling burrs before fitting the handle.
- 3) Fit the upper part of the handle into the housing and press onto the lower part until firmly in place.
- 4) Gently push the handle downward.
- 5) Fit the two self-tapping screws.
- 6) Assemble the screw cover by pressing on the lateral sides first and finally on the central part.

2.1
2.2
2.3



s	d ±0,02		m ₁ ±0,1	m ₂ ±0,1		x +0,2		y +0,5	
Wall thickness	for self-tapping screw	for M3	b ₁ =110 b ₁ =120	b ₁ =110	b ₁ =120	b ₁ =110	b ₁ =120	b ₁ =110	b ₁ =120
1 ... 1,2	2,5	Core hole drilling 2,5 Through bore-hole 3,2	64	55,5	76,8	100	107,5	52	73
> 1,2 ... 1,5	2,55		64	55,5	77	100	107,5	52,2	73
> 1,5 ... 2	2,6		64	56	77,2	100	107,5	52,5	73
> 2 ... 2,5	2,65		64	56,2	77,5	100	107,5	52,7	74
> 2,5 ... 3	2,65		64	56,5	77,8	100	107,5	53	74
> 3 ... 3,5	2,7		64	56,7	78,1	100	107,5	53,2	74
> 3,5 ... 4	2,7		64	56,9	78,4	100	107,5	53,4	75
> 4 ... 4,5	2,7		64	57,1	78,7	100	107,5	53,6	75
> 4,5 ... 5	2,7		64	57,3	79	100	107,5	53,8	75

2.4
2.5