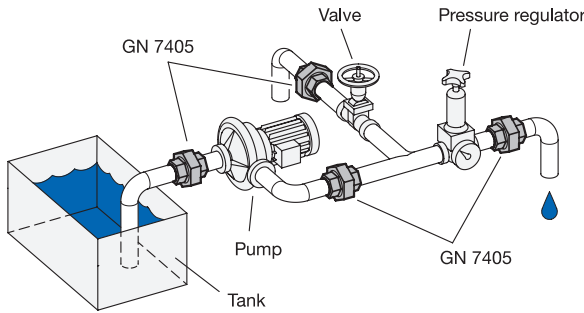


**Rostfrei**  
Inox  
Stainless  
Steel

**3 Type**

- A** Fitting with female thread on both ends
- B** Fitting with female / male thread

**Examples of application**



**2** **4**

d	Mesh size in $\mu\text{m}$		e	$l_1$	$l_2$	$l_3$	$l_4$	$l_5$	$s_1$	$s_2$	Differential pressure $\Delta$ 1 bar Flow volume in l/min.			
	100	500									Water		Hydraulic oil (HPL 46)	
											100 $\mu\text{m}$	500 $\mu\text{m}$	100 $\mu\text{m}$	500 $\mu\text{m}$
G 3/8	100	500	40	36,5	12	21	12	45	36	22	21	25	7	18
G 1/2	100	500	45	40	13	23	14	49	41	26	48	61	15,5	38,5
G 3/4	100	500	55	46	15	25	16	55	50	34	96	104	30	77,5

**Specification**

- Housing  
Stainless Steel AISI 304 **NI**
- Strainer  
Stainless Steel mesh  
AISI 304
- Strainer bezel  
Plastic (Polyamide PA)  
- glass fiber reinforced  
- temperature resistant up to 100 °C
- O-ring  
NBR (Perbunan)
- *Elastomer characteristics* → Page 1483
- *Plastic characteristics* → Page 1483
- *Stainless Steel characteristics* → Page 1489
- **RoHS compliant**

**Accessory**

- St. Steel-Strainers GN 7403.1 → Page 1132

**1**

**Information**

GN 7405 Stainless Steel-Strainer fittings are suited for assembly into piping systems as upstream or downstream protection devices. Depending on the mesh size, particles carried by liquid or gaseous media can be prevented from passing through. Units or housing interiors are thereby protected from foreign objects which can impair function or durability due to their size.

The housing is separately bolted through a union nut, making assembly/disassembly easier and allowing the strainer insert to be exchanged if necessary.

Replacement or maintenance Stainless Steel-Strainers are available under the GN 7403.1 standard.

**How to order**

<b>1</b> Material	NI
<b>2</b> d	G3/8
<b>3</b> Type	A
<b>4</b> Mesh size	100

**GN 7405-NI-G3/8-A-100**

3.1  
3.2  
3.3  
3.4  
3.5  
3.6  
3.7  
3.8  
3.9