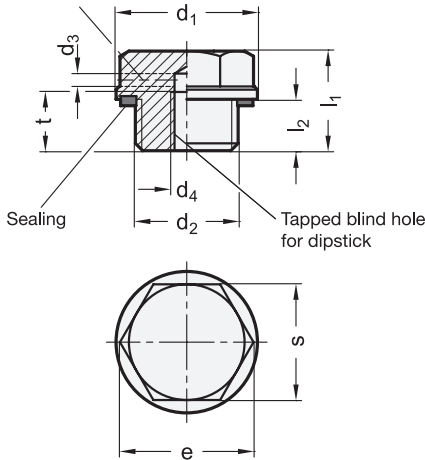


Air vent drilling



Re-fill symbol



Drain symbol



**3 Type**

- OS** neutral, blank
- OSS** neutral, black anodized
- ES** with DIN re-fill symbol, blank
- ESS** with DIN re-fill symbol, black anodized
- AS** with DIN drain symbol, blank
- ASS** with DIN drain symbol, black anodized

**4 Identification**

- 1** without vent drilling
- 2** with vent drilling

**1** **2**

d <sub>1</sub>	d <sub>2</sub>		d <sub>3</sub> Vent drilling	d <sub>4</sub>	l <sub>1</sub>	l <sub>2</sub>	t	s	e ≈
19	G 1/4	M 14 x 1,5	-	M 5	15,5	8	8	15	17,3
22	G 3/8	M 16 x 1,5	-	M 5	15,5	8	8	18	20,8
26	G 1/2	M 20 x 1,5	-	M 5	16	8,5	8	21	24,3
32	G 3/4	M 26 x 1,5	M 27 x 1,5	M 5	17	9	8	27	31,2
40	G 1	M 33 x 1,5	-	M 5	19,5	11	8	32	37
50	G 1 1/4	M 40 x 1,5	M 42 x 1,5	M 5	21	12	8	41	47,3
60	G 1 1/2	-	-	M 5	22	13	8	50	57,7

**Specification**

- Aluminum
  - Type OS, ES and AS fine turned, blank
  - Type OSS, ESS and ASS fine turned, black anodized
  - Symbols laser engraved
- **GN 741**
  - temperature resistant up to **100 °C**
  - Sealing ring rubbers NBR (Perbunan)
- **GN 742**
  - temperature resistant up to **180 °C**
  - Sealing ring rubber FPM (Viton®)
  - Identification by not black finish of seal
- *Elastomer characteristics* → Page 1483
- *Plastic characteristics* → Page 1483
- **RoHS compliant (only types OS, ESS, ASS)**

**On request**

- with dipstick

**Information**

Threaded plugs GN 741 / GN 742 are fitted with outside diameter d<sub>1</sub> to suit screw holes with BSP threads to DIN 3852.

The sealing ring is bedded into a undercut groove which prevents it from dropping out and at the same time stops it from being extruded when tightening the cap.

see also...

- *Threaded plugs GN 745 (Plastic)* → Page 1111
- *Threaded plugs GN 441 / GN 442 (with catch)* → Page 1119

**How to order (100 °C)**

**GN 741-26-G1/2-OSS-1**

1	d <sub>1</sub>
2	d <sub>2</sub>
3	Type
4	Identification

**How to order (180 °C)**

**GN 742-32-M26x1,5-ES-2**

1	d <sub>1</sub>
2	d <sub>2</sub>
3	Type
4	Identification