
**3** Type

- M** Cover with indicator point  
**N** Cover plain

1

2

d <sub>1</sub>	d <sub>2</sub> H7 Bore		d <sub>3</sub>	d <sub>4</sub>	d <sub>5</sub>	d <sub>6</sub>	h <sub>1</sub>	h <sub>2</sub>	h <sub>3</sub>	h <sub>4</sub> ≈	Length l
32	B 10	-	25	23	18	8	21	15	4,2	43	84
40	B 10	B 12	32	30	21	9	25	19	4,0	54	106
50	B 14	B 16	40	37,5	23	11	28	22	3,8	63	130

### Specification

- Steel  
blackened
- Cover  
Plastic, light grey
- Cylindrical knobs GN 519  
Plastic, Duroplast  
black, shiny finish
- Cross holes GN 110 → Page 1422
- Keyway P9 DIN 6885 → Page 1420
- ISO-Fundamental tolerances → Page 1479
- RoHS compliant

### On request

- Control lever versions of the assembly examples

### Information

The cover hides fasteners (see assembly instructions) and provides a printing facility for any symbol or logo.

On assembly, the cover is pushed in by hand and can be removed with a screw driver via a suitable slot.

Control levers GN 750 can also be supplied as standard with:

Square DIN 79      **V** + Bore-Ø  
 Keyway DIN 6885    **K** + Bore-Ø

see also...

- Gear levers GN 623 (Plastic, bushing steel) → Page 380
- Control levers GN 223 (Steel, blackened) → Page 382

How to order

**GN 750-32-B10-N**

1 d<sub>1</sub>  
 2 d<sub>2</sub>  
 3 Type



1.1

1.2

1.3

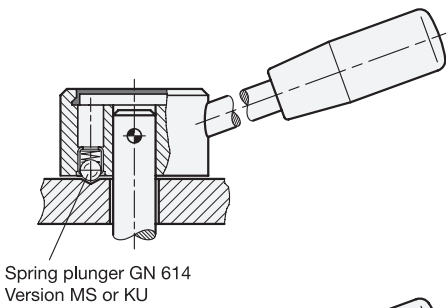
1.4

### Assembly examples

Control lever GN 750 with spring-loaded ball GN 614 (Page 722), version brass (MS) or plastic (KU), fitted to the shaft with a dowel pin.

The spring-loaded ball provides a simple indexing assembly, the location indent can be spotted through the control lever hub.

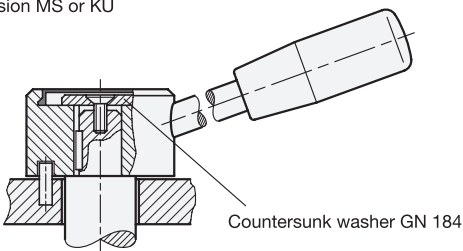
The shaft end and the screw of the indexing ball are hidden by the plastic cover.



2.1

2.2

Control lever GN 750 with keyway and countersunk washer GN 184 (Page 814) for positive lateral location and with a radial slot and dowel pin providing angle limitations.



2.3

2.4

