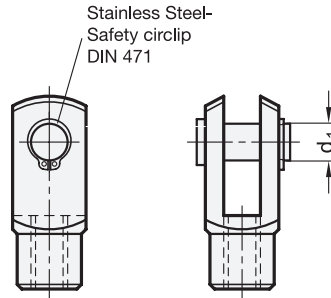
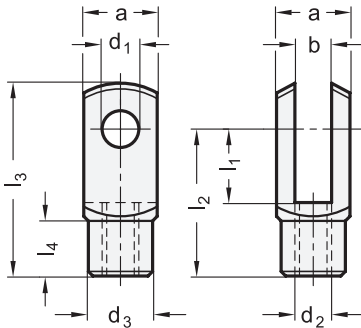


Fork head DIN 71752

Fork joint GN 751



ROSTFREI
Inox
Stainless
Steel

4 Type

A Pin with retaining ring

1		2		3							
d_1 H9/h11	l_1	d_2	a	b	d_3	l_2	l_3	l_4			
4	8	16	M 4	8	4	8	16	24	21	29	6
5	10	20	M 5	10	5	9	20	30	26	36	7,5
6	12	24	M 6	12	6	10	24	36	31	43	9
8	16	32	M 8	16	8	14	32	48	42	58	12
10	20	40	M 10	20	10	18	40	60	52	72	15
12	24	48	M 12	24	12	20	48	72	62	86	18
14	28	56	M 14	28	14	24	56	85	72	101	22,5
16	32	64	M 16	32	16	26	64	96	83	115	24
20	40	-	M 20	40	20	34	80	-	105	-	30

Specification

- Stainless Steel AISI 303 uncoated
- Safety circlip DIN 471 Stainless Steel German Material No. 1.4122
- ISO-Fundamental tolerances → Page 1479
- Stainless Steel characteristics → Page 1489
- RoHS compliant

On request

- Fork heads in accordance with DIN 71752 with $d_1 = 30$ and 35

5

Information

Stainless Steel-Fork joints GN 751 consists of a fork head according to DIN 71752 and a pin with one safety circlip DIN 471.

Standard DIN 71752 does not foresee size $d_1 = 20$.

see also...

- Fork joints (Steel) GN 751 → Page 1160

How to order (with pin)

GN 751-8-16-M8-A-NI

1	d_1
2	l_1
3	d_2
4	Type
5	Material

How to order (without pin)

DIN 71752-6-24-M6-NI

1	d_1
2	l_1
3	d_2
5	Material