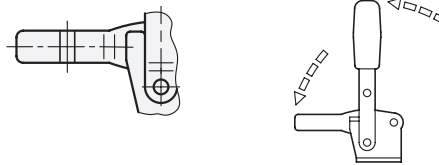


ROSTFREI  
Rost  
frei  
Inox  
Stainless  
Steel

**2 Type**

- A** U-bar version, with two flanged washers
- C** U-bar version, with two flanged washers and GN 708.1 spindle assembly
- E** Solid bar version, with clasp

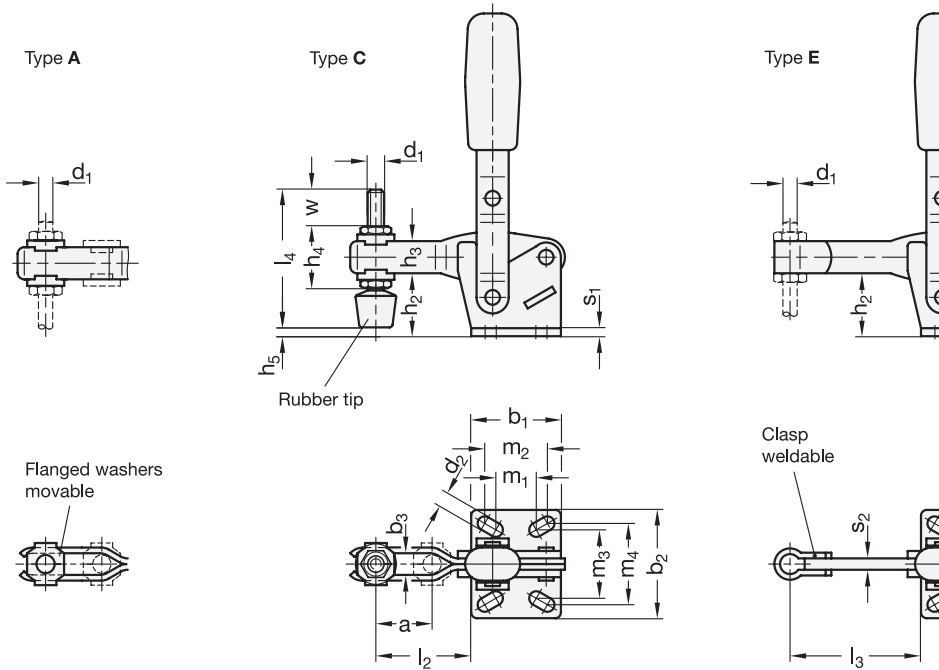
**Operating principle**



**1**

Size	Steel	Stainless Steel	F <sub>H</sub> in N Holding capacity	a ≈	b <sub>1</sub>	b <sub>2</sub>	b <sub>3</sub>	d <sub>1</sub>	d <sub>2</sub> ≈	h <sub>1</sub> ≈	h <sub>2</sub>	h <sub>3</sub>	h <sub>4</sub>	h <sub>5</sub>
75	75	75	750	20	29	34	5,2	M 5	4,5	98	20,5	11	19	5,5
130	130	130	1050	28	35	42	6,2	M 6	5,5	142	28	16	25,5	11,3
230	230	230	2000	40	43	45	8,5	M 8	6,5	168	33,5	18	30	9,5
330	-	-	2400	43	50	65	10,5	M 10	8,5	195	43	22	37	15
430	-	-	2800	64	58	65	12,5	M 12	8,5	247	55,5	26	43	23
530	-	-	4500	90	80	95	12,5	M 12	12,5	303	84,5	32	49	52

Size	Steel	Stainless Steel	l <sub>1</sub> ≈ Type A Type C	Type E	l <sub>2</sub> ≈	l <sub>3</sub> max.	l <sub>4</sub>	m <sub>1</sub>	m <sub>2</sub>	m <sub>3</sub>	m <sub>4</sub>	r ≈	s <sub>1</sub>	s <sub>2</sub>	w Adjustable range
75	75	75	66,5	67	31,5	41	45	15	16	24	24	62,5	2	4	15
130	130	130	85	86	42	54	55	12,5	19	27	29	79,5	2,5	5	17,5
230	230	230	110,5	112	58	73	68	19	20	32	32	104	3	6	20
330	-	-	129	130,5	66	86	77	29	32	45	46	122	3,5	7	19
430	-	-	164	166	88	114	100	32	32	45	45	156	4	10	33
530	-	-	223	225	125	152	100	50	51	70	70	212	7	10	27



### Specification

- Steel
  - Case-hardened Steel C 10 zinc plated, blue passivated
  - Bearing pins tempered
  - Bearing rivets (for size 230 and up) case-hardened
- Stainless Steel AISI 304
- All moving parts lubricated with special grease
- Hand grip High quality, oil resistant, red plastic
- Spindle assembly GN 708.1, type A
  - Steel, zinc plated / Stainless Steel, AISI 304
  - Rubber tip 85 Shore A
- RoHS compliant

### Accessory

- Spindle assemblies → Page 585 ff.
- Clamp mounts GN 801 (for toggle clamps) (for Type A) → Page 590
- Clamp mounts GN 809 (for toggle clamps) (for Type E) → Page 591

3

### Information

GN 810 vertical acting toggle clamps work according to the toggle principle: lever and clamping bar move in the same direction. In the clamped position the operating lever is in its vertical position.

Vertical acting toggle clamps in the U-bar version with two flanged washers (Type A) can accommodate an application specific clamping screw. A spindle assembly with neoprene rubber tip is also included for Type C.

Type E version can either be utilized by welding the clasp which can then accommodate an application specific hold-down fastener component, or by utilizing the bar in conjunction with the GN 809 clamp mounts to hold the work piece in place.

see also...

- General information for toggle clamps → Page 500
- Heavy duty vertical acting toggle clamps GN 910 → Page 506
- Vertical acting toggle clamps GN 810.1 (with vertical base) → Page 504

How to order (Steel)

1 2  
GN 810-75-E

- |   |      |
|---|------|
| 1 | Size |
| 2 | Type |

How to order (Stainless Steel)

1 2 3  
GN 810-75-A-NI

- |   |          |
|---|----------|
| 1 | Size     |
| 2 | Type     |
| 3 | Material |

