

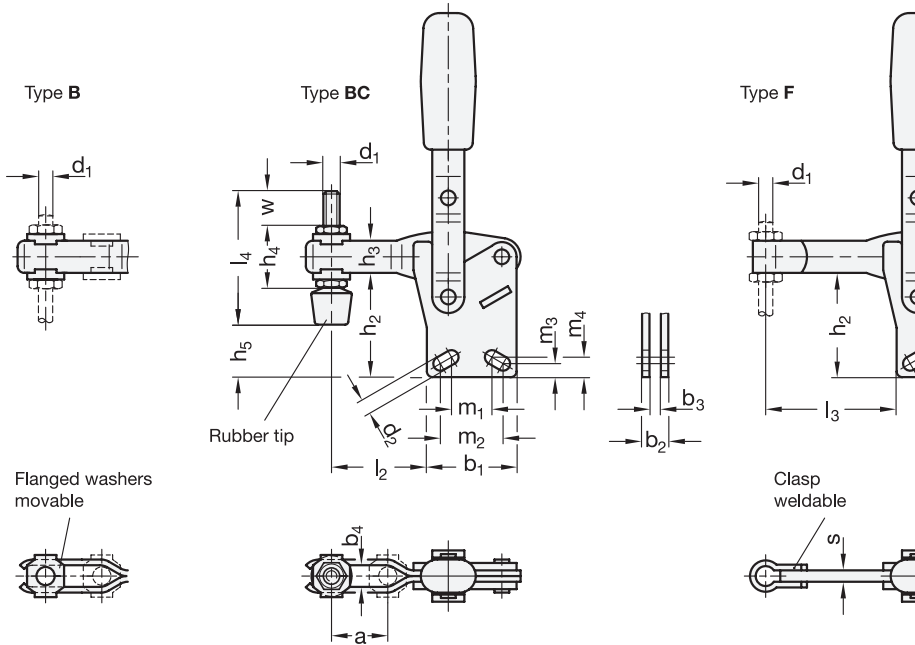
ROSTFREI  
Inox  
Stainless  
Steel

- 2 Type**
- B** U-bar version, with two flanged washers
  - BC** U-bar version, with two flanged washers and GN 708.1 spindle assembly
  - F** Solid bar version, with clasp

**1**

Size	Steel	Stainless Steel	F <sub>H</sub> in N Holding capacity	a ≈	b <sub>1</sub>	b <sub>2</sub>	b <sub>3</sub>	b <sub>4</sub>	d <sub>1</sub>	d <sub>2</sub> ≈	h <sub>1</sub> ≈	h <sub>2</sub>	h <sub>3</sub>	h <sub>4</sub>	h <sub>5</sub> max.
75	75	75	750	20	29	8	4	5,2	M 5	4,5	109	32	11	19	17
130	130	130	1050	28	35	10	5	6,2	M 6	5,5	156	41,5	16	25,5	25
230	230	230	2000	40	43	12	6	8,5	M 8	6,5	183	48	18	30	24
330	-	-	2400	43	50	14	7	10,5	M 10	8,5	218	66	22	37	39,5
430	-	-	2800	64	58	18	10	12,5	M 12	8,5	268	77,5	26	43	45
530	-	-	4500	90	77	18	10	12,5	M 12	12,5	337	117,5	32	49	85

Size	Steel	Stainless Steel	l <sub>1</sub> ≈ Type B Type BC	Type F	l <sub>2</sub> ≈	l <sub>3</sub> max.	l <sub>4</sub>	m <sub>1</sub>	m <sub>2</sub>	m <sub>3</sub>	m <sub>4</sub>	r ≈	s	w Adjustable range
75	75	75	66,5	67	31,5	41	45	15	16	5	5	62,5	4	15
130	130	130	85	86	42	54	55	12,5	19	6,5	7,5	79	5	17,5
230	230	230	110,5	112	58	73	68	19	20	6,5	6,5	104	6	20
330	-	-	129	130,5	66	86	77	28,7	32,3	10	9,5	122	7	19
430	-	-	164	166	88	114	100	32	32	10	10	156	10	33
530	-	-	223	225	128	155	100	50	51	12,5	12,5	212	10	27



**Specification**

- Steel —
  - Case-hardened Steel C 10 zinc plated, blue passivated
  - Bearing pins tempered
  - Bearing rivets (for size 230 and up) case-hardened
- Stainless Steel **NI**
  - AISI 304
- All moving parts lubricated with special grease
- Hand grip
  - High quality, oil resistant, red plastic
- Spindle assembly GN 708.1 , type A
  - Steel, zinc plated / Stainless Steel, AISI 304
  - Rubber tip 85 Shore A
- RoHS compliant

**Accessory**

- Spindle assemblies → Page 585 ff.
- Clamp mounts GN 801 (for toggle clamps) (for Type B) → Page 590
- Clamp mounts GN 809 (for toggle clamps) (for Type F) → Page 591

**Information**

GN 810.1 vertical acting toggle clamps work according to the toggle principle: lever and clamping bar move in the same direction. In the clamped position the operating lever is in its vertical position.

Vertical acting toggle clamps in the U-bar version with two flanged washers (Type B) can accommodate an application specific clamping screw. A spindle assembly with neoprene rubber tip is also included for Type BC.

Type F version can either be utilized by welding the clasp which can then accommodate an application specific hold-down fastener component, or by utilizing the bar in conjunction with the GN 809 clamp mounts to hold the work piece in place.

see also...

- General information for toggle clamps → Page 500
- Heavy duty vertical acting toggle clamps GN 910 → Page 506
- Vertical acting toggle clamps GN 810 (with horizontal base) → Page 502

How to order (Steel)	
1	Size
GN810.1-430-B	
2	Type

How to order (Stainless Steel)	
1	Size
GN810.1-75-F-NI	
2	Type
3	Material

