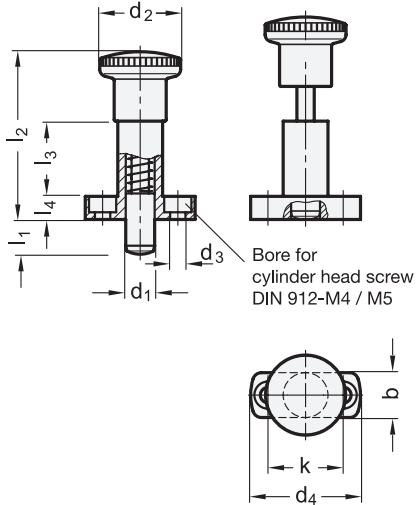
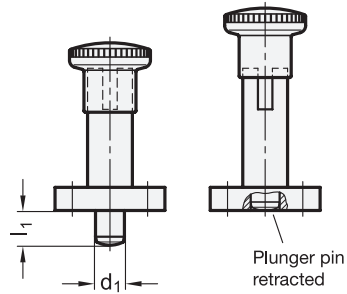


Type B



Type C

(Knob rotated 90°)



Type

- B** without rest position
C with rest position

1

2

d_1 Pin Bore	l_1	b	d_2	d_3	d_4	k	l_2	l_3	l_4	Spring load in N \approx initial end	
6 -0.02 -0.05 +0.10 +0.03	6	13	23	4,3	34	22	48	22	6	6,5	19
6	9	13	23	4,3	34	22	48	22	6	6	25
8	8	16	28	5,3	38	26	58	26	8	8,5	26
8	12	16	28	5,3	38	26	58	26	8	8,5	28
10	12	16	28	5,3	38	26	58	26	8	9,5	38

Specification

- Guide
Zinc die casting
plastic coated
black, matt, textured finish
- Plunger pin
Stainless Steel
- AISI 303
- chemically nickel plated
- Knob
Plastic (Polyamide PA)
- black, matt
- red RT RAL 3000
 add RT on order code
- not removable
- Load rating information → Page 1463
- Stainless Steel characteristics → Page 1489
- Plastic characteristics → Page 1483
- RoHS compliant

On request

- Indexing plungers with T-Handle

Information

Indexing plungers GN 817.1 (Type C) are used for such applications where the plunger has to stay in its retracted position. To achieve this, the knob is rotated by 90° degrees after being retracted. A notch keeps the plunger in this position.

see also...

- List of indexing plunger types → Page 640 ff.
- Positioning bushings GN 412.2 → Page 696
- Positioning bushings with ramping cone GN 412.3 → Page 697
- Indexing plungers GN 608 (without rest position) → Page 666
- Indexing plungers GN 608.1 (with rest position) → Page 667
- Mini indexing plungers GN 822.8 (with and without rest position) → Page 672

How to order

GN817.1-8-12-B

1	d_1
2	l_1
3	Type