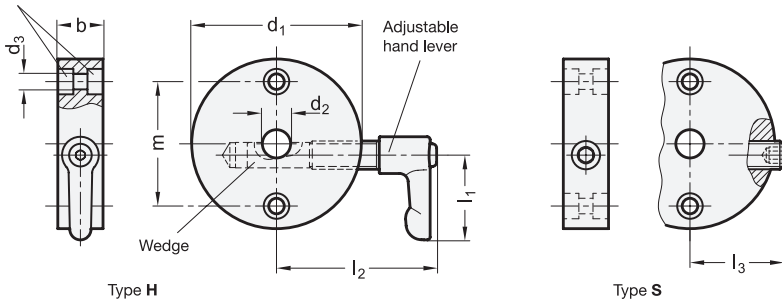
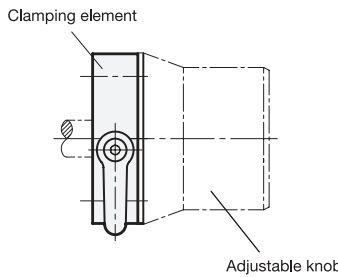


2 Bores for
socket head cap screws
DIN 912-M4 / M5



3 Type

- H Clamping screw with adjustable handle
- S Clamping screw with internal hexagon



1

2

d ₁	d ₂ H7			d ₃	b	m	l ₁	l ₂ max. Type H	l ₃ max. Type S
40	B 8	B 10	-	4,3	16	28	30	50	27
50	B 8	B 10	B 12	5,3	16	36	30	56	32
60	B 10	B 12	-	5,3	16	44	30	61	36

Specification

- Aluminum anodized black **ELS**
- Wedge Brass
- Adjustable hand levers
 - black, RAL 9005, textured finish
 - with setting screw Stainless Steel AISI 303
- Setting screw with internal hexagon Stainless Steel AISI 303
- ISO-Fundamental tolerances → Page 1479
- Stainless Steel characteristics → Page 1489
- RoHS compliant

4

Information

Clamping elements GN 826 are normally used in connection with control knobs and smaller handwheels.

Spindles can so be clamped gently and easily and without much construction and installation effort. The clamping wedge stiffens the spindle, e.g., to prevent maladjustments caused by vibrations or to secure the spindle after adjustment.

This clamping element can also be used to store the spindle

The clamping element may be mounted such that the clamping lever / the clamping screw is positioned either on the left or the right hand side.

Indicator arrows which can be attached to the circumference of the clamping element are found under GN 711.1.

see also...

- Indicator arrows GN 711.1 (self-adhesive) → Page 240

How to order

1 2 3 4
GN826-40-B10-H-ELS

- 1 d₁
- 2 d₂
- 3 Type
- 4 Finish