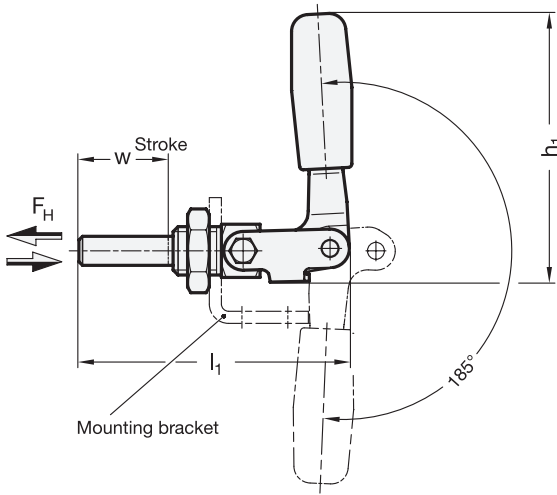


GN 843.1

Steel / Stainless Steel

Push-pull type toggle clamps

for push-pull clamping



ROSTFREI
Inox
Stainless
Steel

- 2** Type
- AS** without mounting bracket
 - ASW** with mounting bracket

1

Size	F _H in N Holding capacity	a	b ₁	b ₂	d ₁	d ₂	d ₃	d ₄	h ₁ ≈	h ₂	h ₃
80	3000	24	35	29	10	M 6	M 16 x 1,5	5,5	70,5	38,5	19
165	5400	32	60	35	12	M 8	M 20 x 1,5	6,5	110	50	22
340	7000	48	75	47,6	16	M 10	M 24 x 2	8,5	146	70	30

Size	l ₁ ≈	l ₂ ≈	l ₃ ≈	l ₄ ≈	l ₅	m ₁	m ₂	m ₃	s	t	w Stroke
80	71	65	34	22	22	20	12	-	4	12	21
165	112	104	54	39	41	41	13,5	19	5	15	38
340	173	162	85	68	59	55	19	25	5	18	66

Specification

- Steel —
 - Parts in sheet metal
 - Case-hardened steel C10
 - zinc plated, blue passivated
- Stainless Steel **NI**
 - Parts in sheet metal
 - AISI 304
 - other parts
 - AISI 303
- All moving parts lubricated with special grease
- Hand grip
 - High quality, oil resistant, red plastic
- RoHS compliant

Accessory

- Spindle assemblies → Page 585 ff.

3

Information

GN 843.1 push-pull type toggle clamps can be mounted on a mounting bracket (Type ASW) or directly on the jig.

The center bushing securing method allows the operating handle to be turned to the most favorable position.

GN 843.1 push-pull type toggle clamps replace series GN 843.

see also...

- General information for toggle clamps → Page 500

How to order (Steel)

GN 843.1-80-ASW

- 1** Size
- 2** Type

How to order (Stainless Steel)

GN 843.1-165-ASW-NI

- 1** Size
- 2** Type
- 3** Material

