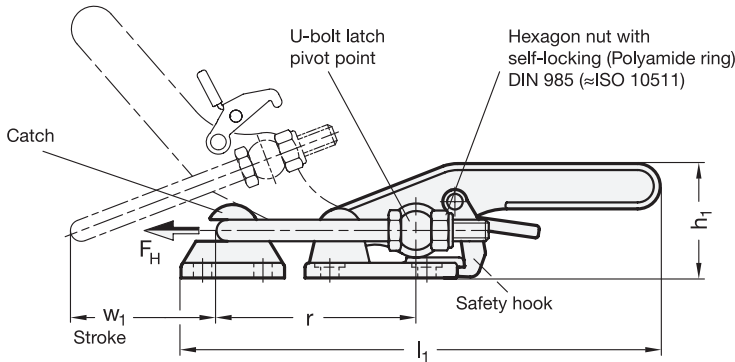




ROSTFREI  
Inox  
Stainless  
Steel

**2 Type**

- T6** with mounting holes, with U-bolt latch, with catch
- T** with mounting holes, without U-bolt latch, with catch
- T6S** for welding, with U-bolt latch, with catch



Size	F <sub>H</sub> in N Holding capacity	a <sub>1</sub>	a <sub>2</sub>	b <sub>1</sub>	b <sub>2</sub>	b <sub>3</sub>	b <sub>4</sub>	b <sub>5</sub>	b <sub>6</sub>	b <sub>7</sub>	b <sub>8</sub>	d <sub>1</sub>	d <sub>2</sub>	d <sub>3</sub>	h <sub>1</sub> ≈	h <sub>2</sub>
1700	14000	22	21	68	64	46	48	28	26,5	38	17	M 10	8,5	14	55	34,5
4000	30000	28	27	85	80	55	60	34	32	50	20	M 12	10,5	16	68	42,5

Size	l <sub>1</sub> ≈		l <sub>2</sub> min.	l <sub>3</sub> ≈	m <sub>1</sub>	m <sub>2</sub>	m <sub>3</sub>	m <sub>4</sub>	m <sub>5</sub>	r ≈ at w <sub>2</sub> = 0	s	t	w <sub>1</sub> Stroke	w <sub>2</sub> ≈ Adjustable range
	Type T6S / TS	Type T6 / T												
1700	218	223	33	129	45	11,5	45	10	28	96	7	2	54	15
4000	266	271	30	151	57	14	57	12,5	35	107	9	2	62	25

**Specification**

- Body / catch / clamping lever / U-bolt latch  
Stainless Steel AISI 304 forged **NI**
- Other parts  
Stainless Steel AISI 303
- All moving parts  
lubricated with special grease
- *Stainless Steel characteristics* → Page 1489
- **RoHS compliant**



**Information**

The GN 852.3 latch type toggle clamps are compact in design and can be used to ensure high holding capacities.

When closing the spanner, a safety hook positively locks onto the body. This prevents the inadvertent or vibration-induced release from the clamping position. To open the safety hook it is unlocked per one-hand operation.

The stroke of the U-bolt latch can be adjusted within its range.

In addition to the standard lengths for the U-bolt latch shown above, more lengths may be achieved by using series GN 951.1 square U-bolts

see also...

- *General information for toggle clamps* → Page 500
- *Square U-bolts GN 951.2* → Page 561

**How to order**

**GN852.3-1700-T6-NI**

- 1** Size
- 2** Type
- 3** Material

