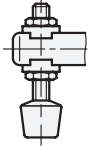


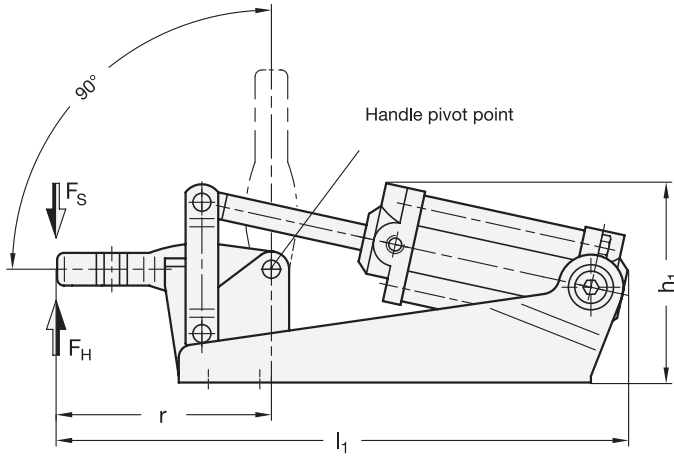
Type AP3



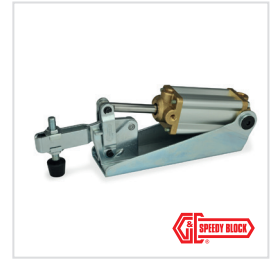
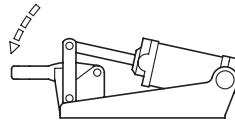
Type CP3



Type EP3



Operating principle

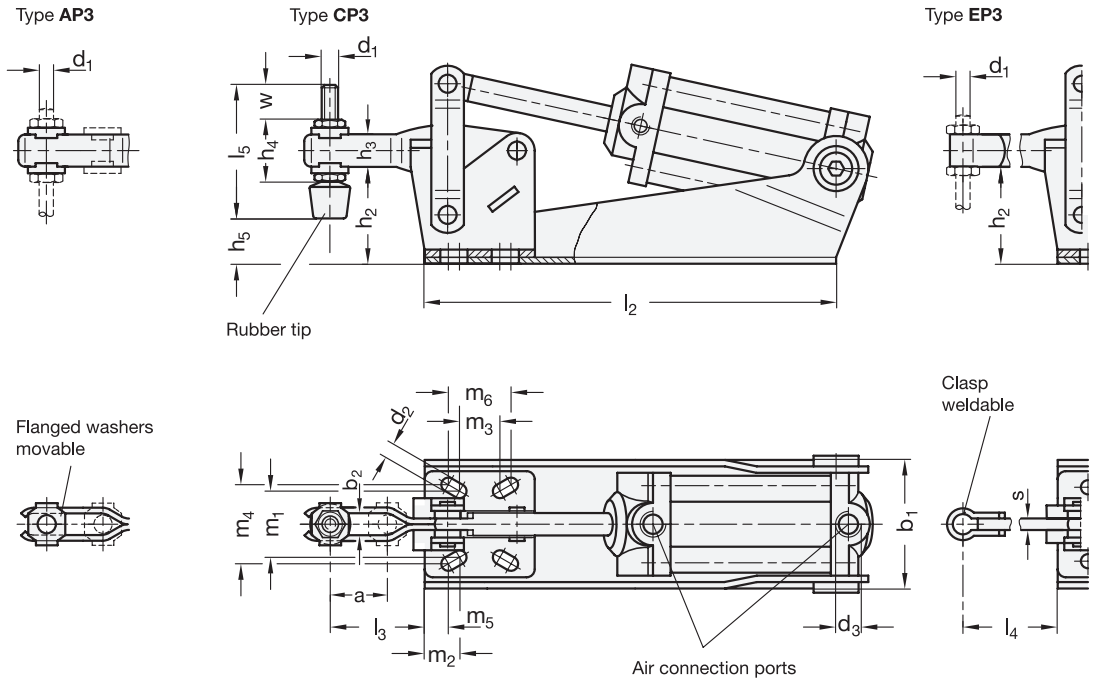


- 2 Type**
 - AP3** U-bar version, with two flanged washers
 - CP3** U-bar version, with two flanged washers and GN 708.1 Spindle Assembly
 - EP3** Solid bar version, with clasp
- 3 Coding**
 - M** Magnetic piston from size 200 and up

1

Size	F _H in N Holding capacity	F _S in N Clamping force at 4 bar ≈	a ≈	b ₁	b ₂	d ₁	d ₂	d ₃	Inside Ø Connection tube	h ₁ ≈	h ₂	h ₃	h ₄	h ₅
70	700	480	20	42	5,5	M 5	4,5	G 1/8	4	51	21	11	19	6,3
125	1600	600	28	47,5	6,5	M 6	5,5	G 1/8	4	70,5	30	14	23,5	13,5
200	2200	800	40	53	8,5	M 8	6,5	G 1/8	4	79	36	18	30	12,5
300	2700	1300	42	74	10,5	M 10	8,5	G 1/4	6	98	48	20	35	20
400	3000	1350	66	74	12,5	M 12	8,5	G 1/4	8	107,5	51	22	39	18,5

Size	l ₁ ≈	l ₂ ≈	l ₃ ≈	l ₄ ≈ max.	l ₅	m ₁	m ₂	m ₃	m ₄	m ₅	m ₆	r ≈	s	w Adjustable range
70	163	92	33	41	45	24	7	15	24	6,5	16	62,5	4	15
125	200,5	150	40	54	55	27	11,25	12,5	29	8	19	79	5	19,5
200	247	160	59	75	68	32	12	19	32	11,5	20	104	6	20
300	305	195,5	66	85	77	45	10,5	29	46	8,5	32	122	8	21
400	361	216	94	120	100	45	10	32	45	10	32	156	10	37



Specification

- Parts in sheet metal
Case-hardened steel C10
zinc plated, blue passivated
- Bearing pins hardened
- Bearing rivets (for size 200 and up)
case-hardened
- Air cylinder bearing pins
case-hardened
- Double-action air cylinder
max. pressure 6 bar
- All moving parts
lubricated with special grease
- Spindle assembly GN 708.1, type A
- Steel, zinc plated
- Rubber tip 85 Shore A
- **RoHS compliant**

Accessory

- Spindle assemblies → Page 585 ff.
- Clamp mounts GN 801 (for toggle clamps)
(for type AP3) → Page 590
- Clamp mounts GN 809 (for toggle clamps)
(for type EP3) → Page 591
- Proximity switches GN 896.1 / GN 896.2
→ Page 584

Information

The clamping principle of GN 860 pneumatic toggle clamps is identical in construction and dimensions to the manually operated GN 810 vertical toggle clamps.

To ensure an extended life of the mechanical parts as well as the air cylinders the operating pressure should not exceed 6 bar.

GN 860 Pneumatic toggle clamps are also available in sizes 200 and up as a version M (magnetic piston). In conjunction with GN 896.1 / GN 896.2 proximity switches, the piston position can be sensed and the generated impulse can be used to transmit an electrical signal.

see also...

- *More information for pneumatically operated clamps* → Page 501

How to order (without magnetic piston)

GN 860-200-AP3

- | | |
|---|------|
| 1 | Size |
| 2 | Type |

How to order (with magnetic piston)

GN 860-300-AP3-M

- | | |
|---|--------|
| 1 | Size |
| 2 | Type |
| 3 | Coding |

