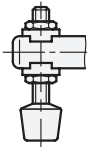


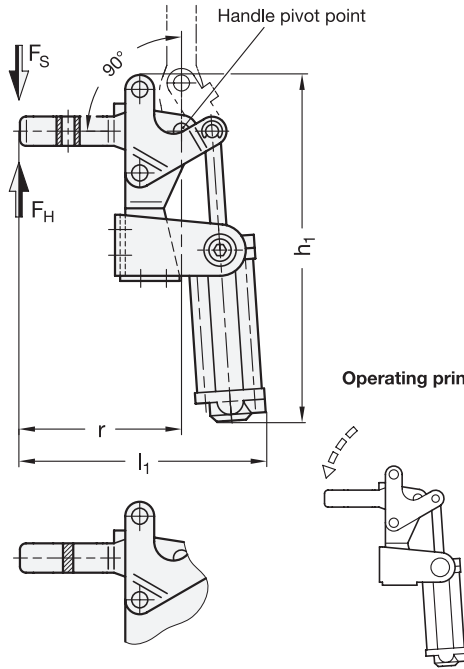
Type APV3



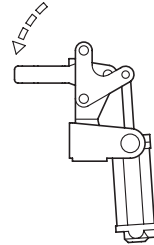
Type CPV3



Type EPV3



Operating principle



**2 Type**

- APV3** U-bar version, with two flanged washers
- CPV3** U-bar version, with two flanged washers and GN 708.1 Spindle Assembly
- EPV3** Solid bar version, with clamp

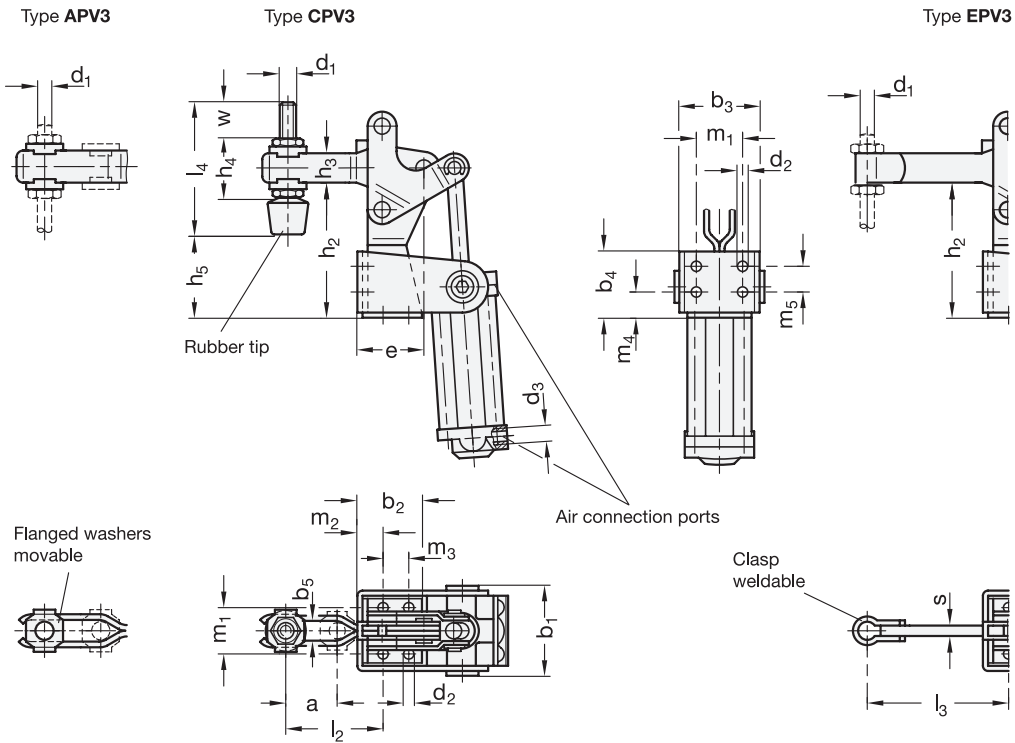
**3 Coding**

- M** Magnetic piston

**1**

Size	F <sub>H</sub> in N Holding capacity	F <sub>S</sub> in N Clamping force at 4 bar ≈	a ≈	b <sub>1</sub>	b <sub>2</sub>	b <sub>3</sub>	b <sub>4</sub>	b <sub>5</sub>	d <sub>1</sub>	d <sub>2</sub>	d <sub>3</sub>	Inside Ø Connection tube	e
200	1600	970	34	59,5	38,5	51	35	8,5	M 8	6,5	G 1/8	4	39,5
300	2400	1050	42	68,5	53	60,5	50	10,3	M 10	8,5	G 1/4	6	50,5

Size	h <sub>1</sub> ≈	h <sub>2</sub>	h <sub>3</sub>	h <sub>4</sub>	h <sub>5</sub>	l <sub>1</sub> ≈	l <sub>2</sub> ≈	l <sub>3</sub> max.	l <sub>4</sub>	m <sub>1</sub>	m <sub>2</sub>	m <sub>3</sub>	m <sub>4</sub>	m <sub>5</sub>	r ≈	s	w Adjustable range
200	210	78	17	29	54	150	59	80	68	26	14,5	16	11	16	98	6	21
300	258	108	20	35	79,5	187	74	104	77	30	16,5	28	12	30	122	8	21



### Specification

- Parts in sheet metal  
Case-hardened steel C10  
zinc plated, blue passivated
- Bearing pins hardened
- Bearing rivets case-hardened
- Air cylinder bearing pins  
case-hardened
- Double-action air cylinder  
max. pressure 6 bar
- All moving parts  
lubricated with special grease
- Spindle assembly GN 708.1, type A  
- Steel, zinc plated  
- Rubber tip 85 Shore A
- RoHS compliant

### Accessory

- Spindle assemblies → Page 585 ff.
- Clamp mounts GN 801 (for toggle clamps)  
(for type APV3) → Page 590
- Clamp mounts GN 809 (for toggle clamps)  
(for type EPV3) → Page 591
- Proximity switch GN 896.2 → Page 584

### Information

The clamping principle of GN 862 pneumatic toggle clamps is identical in construction and dimensions to the manually operated GN 812 vertical toggle clamps.

To ensure an extended life of the mechanical parts as well as the air cylinders the operating pressure should not exceed 6 bar.

GN 862 pneumatic toggle clamps are also available in sizes 200 and up as a version M (magnetic piston). In conjunction with a GN 896.2 proximity switch, the piston position can be sensed and the generated impulse can be used to transmit an electrical signal.

see also...

- More information for pneumatically operated clamps → Page 501

How to order (without magnetic piston)

1 <sup>1</sup> <sup>2</sup>  
GN 862-300-EPV3

1	Size
2	Type

How to order (with magnetic piston)

1 <sup>1</sup> <sup>2</sup> <sup>3</sup>  
GN 862-200-APV3-M

1	Size
2	Type
3	Coding

