

2 Type

BI Clamping arm vertical



Size (Piston-Ø)	max. clamping moment in Nm at 6 bar	F _S in N Clamping force at r at 6 bar	F _H in N Holding capacity at r at 6 bar	a	b -0,2	d ₁ h8	d ₂	d ₃ H8	d ₄	d ₅	h ₁	h ₂	l ₁ -0,5
20	60	1250	2300	10,5	10	28	M 5	7	4,2	M 5	16	16	150
32	150	2220	3040	15,5	12	40	M 6	9	5	G 1/8	21	21	206
40	300	3640	4060	18,5	16	50	M 8	11	6,8	G 1/8	26	26	244
50	475	4900	7200	21,5	18	60	M 10	13	8,5	G 1/8	31	31	279

Size (Piston-Ø)	l ₂ -0,5	l ₃	l ₄	l ₅	l ₆	l ₇ -0,5	m ₁ ±0,01	m ₂	m ₃ ±0,01	m ₄ ±0,01	m ₅ ±0,01	m ₆	r	s	t
20	171	70	21	4,5	21	97	12	7,5	17	34	22	13	47,5	32	13
32	237	91	31	6	31	133	18	10	25	51	30	22	67,5	42	15
40	282	104	38	7,5	38	155	22	13	30	62	37	25	82,5	52	18
50	323	110,5	44	8	44	174	27	12	47	71,5	44	35	96,5	62	21

Specification

- Steel C45
blackened
- max. pressure 10 bar
- ISO-Fundamental tolerances → Page 1479
- RoHS compliant

Information

The maximum clamping moment of the GN 865 pneumatic fastening clamps is reached once the clamping arm is at the end of its stroke. For this reason the working stroke should be completed as closely as possible to the stroke end.

see also...

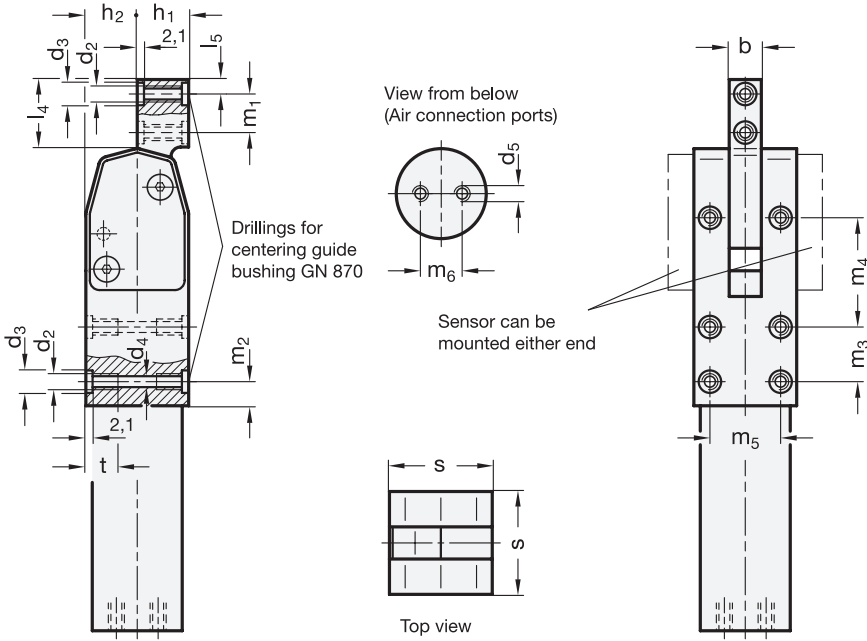
- Operating principle, mounting methods → Page 592
- Centering guide bushing accessories GN 870 → Page 610
- Sensor accessories → Page 611
- Accessories → Page 600 ff.

How to order

GN 865-40-BI

1 Size

2 Type



1.1
1.2
1.3
1.4



2.1
2.2
2.3
2.4