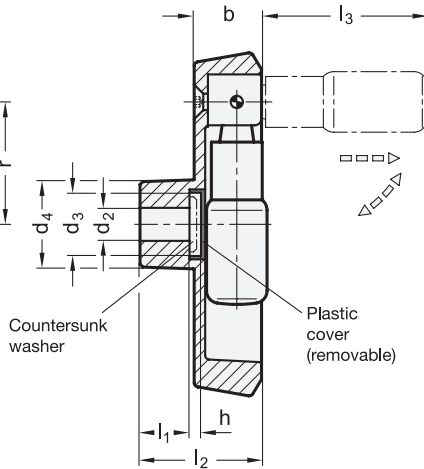
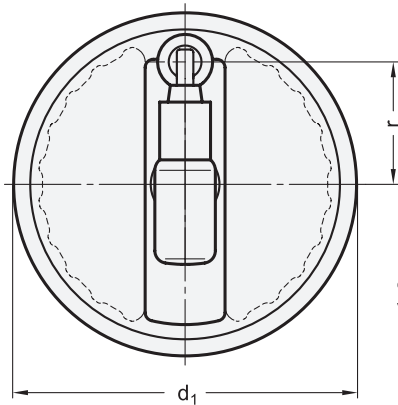


2 Bore code

- B** without keyway
- K** with keyway

4 Type

- R** with revolving handle



1

3

| d ₁ | | d ₂ H7 Bore | | d ₃ | d ₄ | b | h | l ₁ | l ₂ ≈ | l ₃ ≈ | | r | Ø Handle | recommended countersunk washer |
|----------------|----------|------------------------|----|----------------|----------------|------|---|----------------|------------------|------------------|----------|------|----------|--------------------------------|
| GN 923.3 | GN 923.7 | | | | | | | | | GN 923.3 | GN 923.7 | | | |
| 100 | - | 10 | 12 | 18 | 28 | 20 | 4 | 17 | 39 | 56,5 | - | 35 | 18 | GN 184-16 |
| 125 | 125 | 12 | 14 | 23 | 31 | 24,5 | 4 | 18 | 45 | 60,5 | 62 | 44,5 | 22 | GN 184-22 |
| 140 | 140 | 14 | 16 | 23 | 36 | 26 | 4 | 19 | 47 | 75,5 | 77,5 | 52 | 24 | GN 184-22 |
| 160 | 160 | 14 | 16 | 23 | 36 | 26 | 4 | 20 | 48 | 75,5 | 77,5 | 61 | 24 | GN 184-22 |
| 200 | 200 | 18 | 20 | 23 | 42 | 27 | 4 | 24 | 53 | 85,5 | 87,5 | 80,5 | 25 | GN 184-22 |

Specification

5

- Aluminum
 - Hub machined
 - Rim turned
 - plastic coated
 - black, RAL 9005, textured finish ● **SW**
 - silver, RAL 9006, textured finish ● **SR**
- Rim concentric and square to bore < 0,4
- Retractable handles GN 798.3 / GN 798.7
 - Plastic, Technopolymer black, matt
 - Retracting mechanism Steel, blackened
- Keyway P9 DIN 6885 → Page 1420
- Cross holes GN 110 → Page 1422
- ISO-Fundamental tolerances → Page 1479
- RoHS compliant

Accessory

- Countersunk washers GN 184 are to be ordered separately.

Information

GN 923.3

The handle in these handwheels is locked in a conical bore in the operating position. For reversal, it must first be pulled from the cone in axial direction. A pressure spring holds the handle in both positions. When swung out, it automatically engages again.

GN 923.7

These handwheels are suitable for applications where the handle must not remain in the operating position.

In order to bring the handle into this position it has to be turned first through 90° to a stop against a torsion spring and then it is pushed against spring pressure into its hold position. By maintaining the forward thrust on the handle the handwheel can easily be rotated. When releasing the handle the springs returns it back to the retracted position.

How to order (handle locked)

| | |
|---|----------------|
| 1 | d ₁ |
| 2 | Bore code |
| 3 | d ₂ |
| 4 | Type |
| 5 | Color |

1
2
3
4
5

GN923.3-160-K14-R-SR

How to order (handle swivelling)

| | |
|---|----------------|
| 1 | d ₁ |
| 2 | Bore code |
| 3 | d ₂ |
| 4 | Type |
| 5 | Color |

1
2
3
4
5

GN923.7-200-B20-R-SW